

Filtration

CPFS



Description

CPF: absolute filter box in galvanized sheet steel 10 mm with epoxy paint

- special seal for absolute filter tight through screw device (CPFS)
- round lateral or top (CPFT) with damper to handle from front of terminal with installed filter
- perforated sheet diffuser in galvanised steel, painted RAL 9010, standard laminar flow CPFT (4 way on demand)
- pressure measurement points from side or front also with installed filter (FAL 3 class H13 or FAL 4 class H14 class)

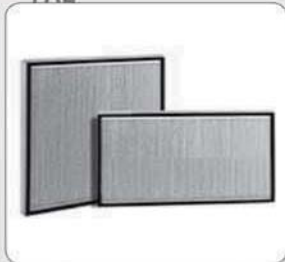
Executions

CPF.E: with swirl diffuser

CPF.X: stainless steel AISI 304

CPF.A: alluminium laminar Class L1 EN1886 (on demand)

FAL



FAL H13	FAL H14	Dimensions L x H x P mm	Air flow (0,45 m/s) m ³ /h*	Filtering surface m ²	Initial pressure loss Pa	
333	433	305x305x68	150	2,7	110	120
344	444	457x457x68	335	6,2	110	120
336	436	305x610x68	300	5,5	110	120
366	466	610x610x68	600	11,0	110	120
369	469	610x915x68	900	16,5	110	120
355	455	545x545x68	500	9,5	110	120
3612	4612	610x1220x68	1200	22,0	110	120

* 0,45 m/s: speed laminar flow

Price (only on demand)

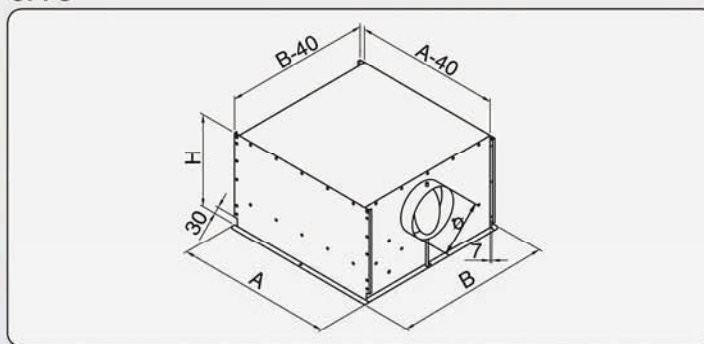
Gr/Type	CPFSF CPFTF	CPFSE CPFTE	CPFSXF CPFTXF	CPFSE CPFTE	FAL3... H13	FAL4... H14
305x305x68						
457x457x68						
610x610x68						
305x610x68		-		-		
545x545x68					-	

CPFS/CPFT dimensions

Filter	A [mm]	B [mm]	H [mm]	Ø [mm]
305x305x68	490	490	320	150
457x457x68	590	590	350	180
545x545x68	590	590	350	180
610x610x68	738	738	420	250
610x305x68	490	738	350	150

Panel: A + 5mm x B + 5mm

CPFS



CPFT

