

SR 30



## Description

**SR30:** linear slot diffuser in anodised natural aluminum

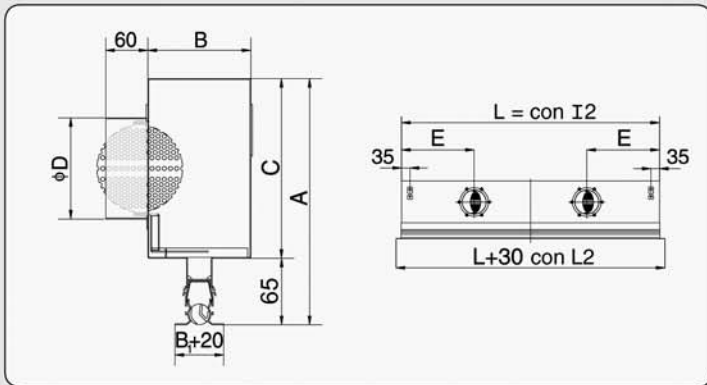
- 180° adjustable air flow
- deflectors in antistatic plastic (black, white, gray)
- available from 1 to 4 slot
- **N:** slot
- **U:** narrow slot
- max length for element L = 2000
- $\Delta T = \pm 10^\circ C$
- mounting height between 2,7 / 4,5 mt

## Accessories

- SS:** SR sliding damper
- K:** galvanized steel plenum with side entry
- R:** damper inlet plenum (list 20€/cad.)
- Z:** acoustic insulation
- I:** Italian Class 1 adhesive insulation
- L2:** terminal couple with rim
- I2:** terminal couple without rim
- series fixing, diffusers plenum with retraction bracket T

## Special executions

- W:** painting with RAL 9005/9006/9010
- +30€ fix + 30% increase on piece**



## SR30 price

Type n° slot	SR30 €/mt	SR30 + K €/mt	Couple L2/I2	W €/mt	Z €/mt	I €/mt	SS €/mt
1	62	150	5	18	48	35	36
2	101	202	5	25	53	35	56
3	136	253	9	30	58	35	76
4	173	300	9	42	62	35	96

## SR 30 dimensions

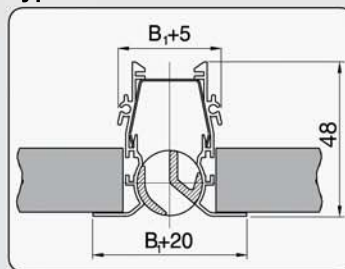
N°	Length L	Air vol. (m³/h·m)	B <sub>1</sub> (mm)	A (mm)	B (mm)	C (mm)	D (mm)	N° Ø D	E (mm)
1	1000	45	27	238,5	100	174	98	1	L/2
	1500						98	2	300
	2000						123	2	400
2	1000	110-135	54	253,5	130	189	158	1	L/2
	1500						123	2	300
	2000						160	2	400
3	1000	160-190	81	279	160	214,5	158	1	L/2
	1500						158	2	300
	2000						158	2	400
4	1000	180-325	108	319	190	254,5	198	1	L/2
	1500						158	2	300
	2000						198	2	400

## SR30 Order code

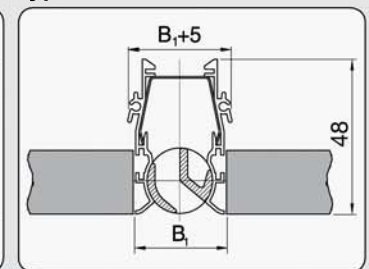
Type	SR30
N° slot	1 - 2 - 3 - 4
Length	ex: 0.3 – 300mm, 1.0 – 1000mm
Characteristics	<b>K:</b> plenum, <b>R:</b> damper, <b>Z:</b> acoustic insulation <b>I:</b> external insulation, <b>SS:</b> sliding damper
Fixing	<b>T:</b> bracket, <b>O:</b> clips, <b>F:</b> rivets
Terminals	<b>L2:</b> terminal couple with rim, <b>I2:</b> terminal couple without
Color	<b>W:</b> painting agreement RAL
Profile	<b>N:</b> ceiling slot, <b>U:</b> narrow slot
Baffle color	<b>C:</b> black, <b>B:</b> white, <b>S:</b> gray

Ex: **SR30 - 2 / 1.4 - KRZI-T - L2 - W - N - B**

## Type N



## Type U



## SR 30 - Section table

slot	air flow m³/h·m	distance between the diffusers (m); H 3,0			single throw direction (m)			$\Delta T_L / \Delta T_Z$	Lw(A) dB(A)	Lw(A) dB(A)	$\Delta pt$
		3	4	6	2	4	6				
		Vh 1,8 m m/s	Vh 1,8 m m/s	Vh 1,8 m m/s	VL m/s	VL m/s	VL m/s				
1	55	0,07	0,075	0,055	0,22	0,17	0,14	0,053	<20	<20	8
	110	0,15	0,155	0,135	0,38	0,29	0,24		34	36	35
	160	0,21	0,22	0,2	0,6	0,42	0,35		44	46	70
2	110	0,11	0,11	0,1	0,28	0,21	0,19	0,075	<20	20	9
	180	0,18	0,18	0,16	0,45	0,33	0,24		31	33	24
	235	0,21	0,23	0,2	0,6	0,42	0,35		36	38	35
3	160	0,13	0,13	0,12	0,34	0,26	0,22	0,092	<20	21	8
	215	0,18	0,18	0,16	0,45	0,33	0,24		26	30	13
	290	0,22	0,23	0,2	0,6	0,42	0,35		34	37	24
4	180	0,13	0,13	0,12	0,34	0,26	0,22	0,11	<20	<20	6
	250	0,18	0,18	0,16	0,45	0,33	0,24		22	26	10
	315	0,22	0,23	0,2	0,6	0,42	0,35		29	33	16

Factors for Vh with h installation 2,7 m : +10%

Vh: residual speed to h= 1,80 m  
VL: throw speed to L m