



### Description

**GF3:** acoustic louvre

- Frame, flange and blades in galvanised steel
- acoustic material in rock wool 55 kg/m<sup>3</sup> with glass fiber and extended metal sheet
- acoustic data according to **ISO EN 11691**

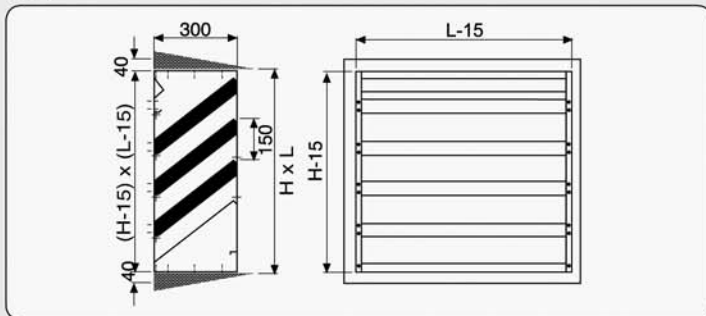
**GF6:** as GF3 but in double execution (**GF3 multiplied x 2**)

**GF3A:** as GF3 but in natural aluminum

**GF6A:** as GF3A but in double execution (**GF3A multiplied x 2**)

**R:** wiremesh (**increase 5%**)

### GF3



### GF3 price

LxH	450	600	750	900	1050	1200	1350	1500	1650	1800	1950
300	301	344	386	428	471	513	556	598	641	683	726
600	365	429	493	557	621	686	750	814	878	942	1.006
900	428	514	600	685	771	857	943	1.029	1.115	1.201	1.287
1200	491	598	706	814	922	1.029	1.137	1.245	1.352	1.460	1.567
1500	554	684	813	942	1.072	1.201	1.331	1.460	1.589	1.719	1.848
1800	617	768	919	1.070	1.221	1.373	1.523	1.675	1.826	1.977	2.128

Delivery: 2 weeks

### GF3A price

LxH	450	600	750	900	1050	1200	1350	1500	1650	1800	1950
300	404	459	514	569	624	679	734	789	844	899	954
600	485	571	657	742	829	915	1.001	1.087	1.173	1.259	1.345
900	565	682	799	917	1.034	1.151	1.268	1.385	1.502	1.619	1.736
1200	646	794	942	1.091	1.239	1.387	1.535	1.683	1.831	1.979	2.127
1500	726	905	1.085	1.264	1.443	1.623	1.801	1.981	2.160	2.339	2.518
1800	807	1.017	1.227	1.437	1.648	1.858	2.068	2.279	2.489	2.699	2.909

Delivery: 3 weeks

### Pressure loss

V (m/s)	Δpt (Pa)
1,0	7
1,5	16
2,0	28
2,5	46
3,0	66

### Insertion loss

Type	Frequency (Hz)						
	125	250	500	1k	2k	4k	8k
GF3	5	9	10	14	18	16	16
GF6	8	16	17	25	33	30	29

V (m/s) referred to section (B-35)x (H-215)

V=3 m/s louver rain-proof

Pressure loss double executions

## Transit acoustic grilles

### WGZD-WGZC



### Description

**WGZ:** transit acoustic grilles

**WGZD...:** double execution (depth from 40 to 110 mm)

**WGZC...:** single execution (depth from 52,5 to 122,5)

- version with aluminum frame blades painted RAL 9010
- mounting screws (not included)

### Attenuation WGZDDO and WGZCDO in dB

		FREQUENCY (Hz)							
		65	125	250	500	1K	2K	4K	8K
DEPTH	40mm	8	9	6	6	12	22	23	21
	110mm	8	10	7	11	15	26	24	22

### Pressure loss:

V= 0,5 m/s : 6 Pa

V= 0,8 m/s : 16 Pa

V= 1,0 m/s : 25 Pa

(V=referreda LxH)

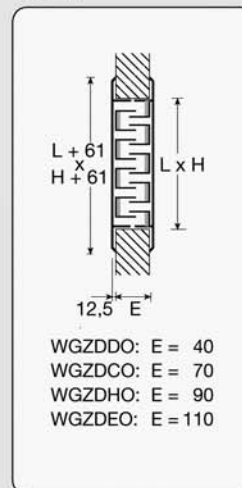
### WGZDDO/WGZCDO price

H/L	225	325	425	525	625	825	1025
110	171	229	306	356	419	531	653
190	225	270	342	405	464	581	698
270	261	315	396	441	513	630	738
350	320	360	432	500	639	774	909
430	365	428	486	536	689	824	963
510	419	477	531	590	747	887	1017

Delivery: 3 weeks / **minumum order € 150**

**Models not listed +35%**

### WGZD



### WGZC

