

RCC



Description

RCC: constant volume flow circular controllers

- casing in galvanised steel
- adjustment blade in galvanised steel for the control of the oscillation, stainless steel pivots of special bushings
- operating range from 50 to 1000 Pa
- operating temperature from -20°C and 70°C
- tolerance $\pm 10\%$ (up to 1000 m³/h : ± 10 m³/h)
- horizontal and vertical mounting
- possibility of setting on site

Accessories

- plug-in silencer L = 1000 mm

Mounting: provide a straight duct at least 5xD connected with t-pieces; R min 1D connected by rigid duct

Executions

- RCC3:** as RCC but with electric motor 230V calibrated at 2 values (on demand)
- RCC5:** as RCC3 but with electric motor 24V calibrated at 2 values (on demand)
- RCC6:** as RCC5 but with electric motor 24V, 0/10 V DC (on demand)
- RCC..I:** with insulated double casing (on demand)
- RCC..LD:** outer gasket seal (€ 24 list.)

RCR



Description

RCR: constant volume flow rectangular controllers

- casing in galvanised steel
- adjustment blade like RCC
- operating range from 50 to 1000 Pa
- operating temperature from -20°C and 70°C
- tolerance $\pm 5\%$ up to $\pm 15\%$ for low flow
- horizontal and vertical mounting
- possibility of calibration on site

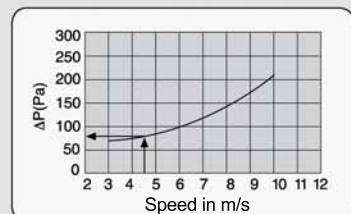
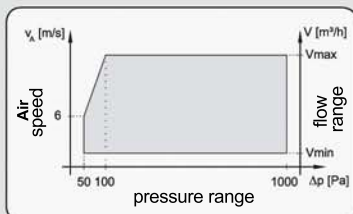
Executions

- RCR3:** as RCR but with electric motor 230V calibrated at 2 values (on demand)
- RCR5:** as RCR3 but with electric motor 24V calibrated at 2 values (on demand)
- RCR6:** as RCR5 but with electric motor 24V, 0/10 V DC (on demand)
- RCR..I:** with insulated casing (on demand)

Mounting: provide a straight duct having the same dimension as the regulator of length equal to 2-4 the max dimension

Application for all dimensions

Minimum static pressure difference



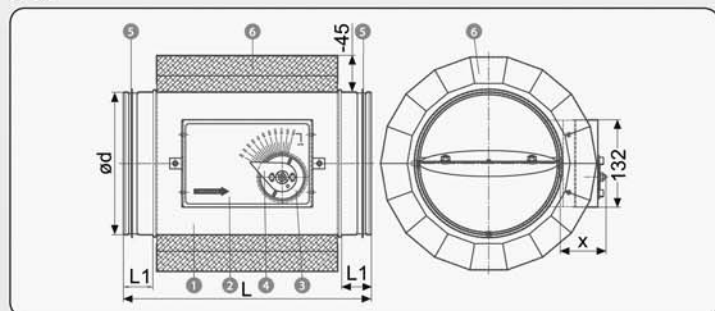
Price

DN	Air flow m ³ /h		Pst min Pa	Pst max Pa	Ød [mm]	L [mm]	L1 [mm]	€
	min.	max						
80	50	250	50	150	79	322	40	176
100	70	340	50	140	99	322	40	176
125	120	600	50	150	124	322	40	190
160	150	800	50	110	159	322	40	194
200	230	1300	50	105	199	352	40	207
250	400	2200	50	105	249	412	60	220
315	600	3000	50	115	314	462	60	264

Delivery: 3 weeks

Overall control side	X [mm]
manual	65
motorized	130

RCC



- Legend:**
- | | |
|-----------------------------------|--|
| 1. Casing | 5. Outer gasket seal (optional) |
| 2. Regulation | 6. External acoustic insulation (optional) |
| 3. Points of the flow calibration | |
| 4. Air flow indicator | |

Price

B	H	L	Air flow min [m ³ /h]	Air flow max [m ³ /h]	€
200	100	300	200	800	256
	150	325	250	1200	264
	200	425	350	1550	295
300	100	300	250	1200	264
	150	325	350	1650	273
	200	350	500	2100	300
	250	450	600	2800	405
	300	500	750	3500	594
400	200	375	700	3300	313
	250	450	800	3700	410
	300	500	1000	4250	603
500	200	375	875	4125	326
	250	400	1000	4375	423
	300	500	1200	5200	616
600	200	350	1125	4750	370
	250	500	1400	6000	436
	300	500	1600	7000	634

Delivery: 3 weeks

Overall control side	X [mm]
manual	55
motorized	130 max

RCR

