

DVZ



Description

DVZ: high inductive effect diffuser

- mounting height between 3 and 8 m
- variable throw due to the combined action of the fixed blades (1), the central jet (2), and the flow regulator (3) pattern adjustable with hand from the room or through electric or thermostatic actuator
- equalizer
- aluminum manufacture painted RAL 9010

Accessories

PLS: plenum side connection with damper

R1: proportional motor 0 + 10V, 24V

R2: on/off motor -24V

DVZ-ATS: thermostatic actuator

Special executions

DVZ...T: complete with panel 596x596 for ceiling mounting

W: painting with RAL 9005/9006

30€ fix + 30% increase on piece

Price (only on demand)

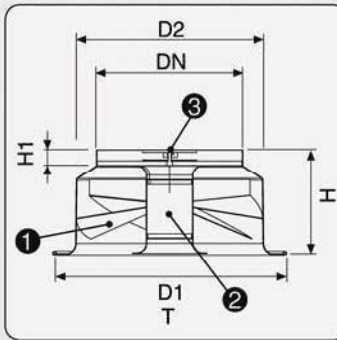
DN/Type	DVZ	DVZ-ATS	T	R1	R2	PLS
250						
315						
400						
500						
630						
800						

Delivery: 3 weeks

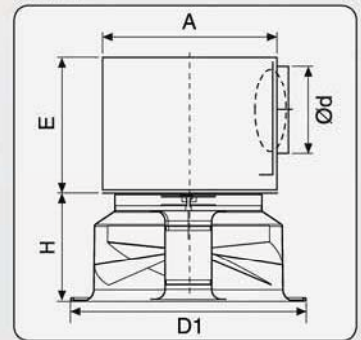
Dimensions

DN	D1	D2	H	H1	T	d	A	E
250	400	298	205	40	596	248	350	350
315	500	398	230	40	596	313	400	400
400	615	465	270	60	596	398	500	500
500	780	565	320	60		498	600	600
630	935	665	390	80		600	730	730
800	1130	900	557	75		600	900	900

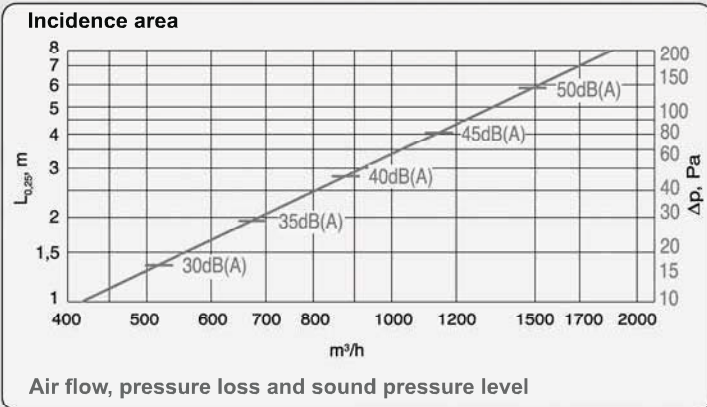
DVZ



DVZ-T

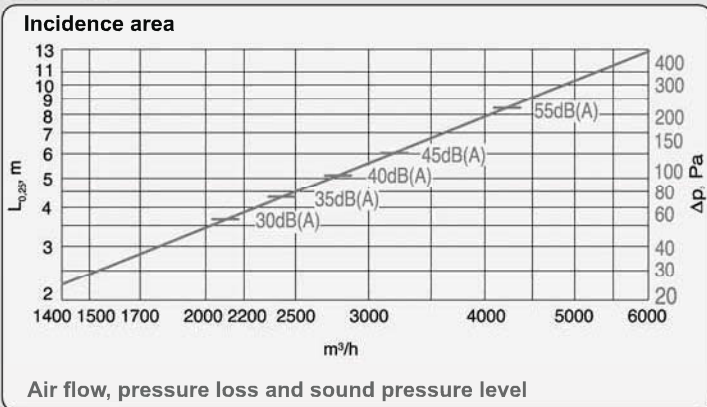


DVZ - 315



Max Δt heating + 15k

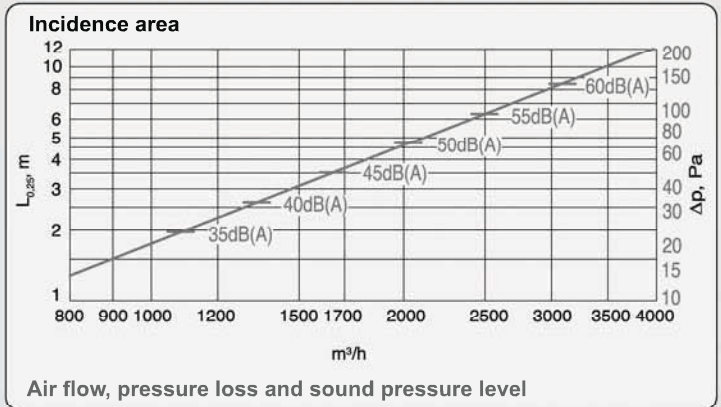
DVZ - 500



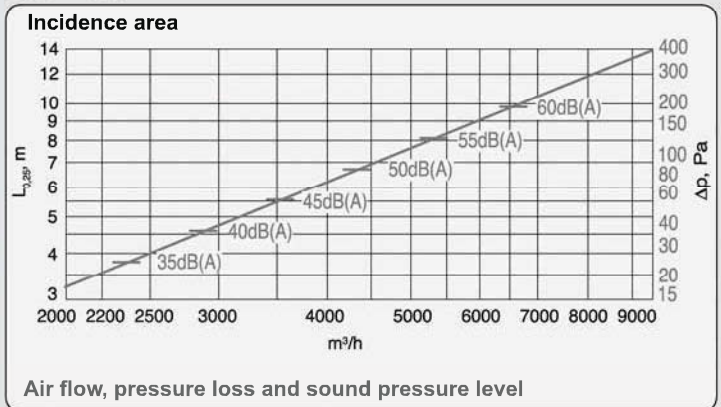
L 0,25= vertical blow with terminal speed 0,25 m/s

Date DVZ 800 on demand

DVZ - 400



DVZ - 630



Sound pressure level with 4dB attenuation room
During the cooling phase with the central section closed, increase the noise 4dB(A)