

**GR20PF PP**



**Description**

**GR20PF PP:** return grille with fixed inclined blades like GR20, complete with filter holder frame, hinges on the long side, with pressure opening system (Push / Pull) with filter (G3 efficiency)

**GR20PF W PP:** like GR20PF PP but RAL 9010 (list price +20%)

**GRQ PF PP:** as above but with 12x12 square mesh, aluminium finish

**GRQ PF W PP:** as above but with RAL 9010 white coating (GRQ PF PP price list +20%)

**GRQI PF PP:** as above but with 45° inclined mesh, aluminium finish (GRQ PF PP price list +10%)

**GRQI PF W PP:** as above but with RAL 9010 white coating (GRQ PF PP price list +20%)

**GRF PF W PP:** as above but with perforated mesh and RAL 9010 white finish

**Special versions**

**C:** fastening with magnets +10%

**W:** RAL 9010 coating (list price +20%)

**VR:** coating according to RAL 9005 / 9006 table  
fixed surcharge €30 + 20% per piece

Other RAL colours on request

**Dimensions for 600 x 600 false ceiling**

Type	L x H	False ceiling panel	€
GR20PF PP	545x545	600x600	<b>125</b>
GR20PF W PP	545x545	600x600	<b>125</b>
GRQI PF PP	545x545	600x600	<b>135</b>
GRQI PF W PP	545x545	600x600	<b>135</b>
GRF PF W PP	545x545	600x600	<b>145</b>

Delivery: prices in bold in stock / other material 2 weeks

**GR20PF PP selection table**

AK (dm²)	L x H (mm)	Flow rate (m³/h)											
		150	200	300	400	500	600	800	1000	1200	1500	2000	2500
1.3	200x100	15	25										
		3.2	11	4.2	19								
2.0	300x100 200x150	-	15	25									
		2.1	5	2.7	8	4	17						
3.0	400x100 300x150 200x200	-	15	25		30							
		1.9	4	2.7	8	3.6	14	4.6	22				
3.5	500x100		15	22		28		32					
			2.3	5.5	3.2	11	4	17	4.7	23			
4.5	600x100 400x150 300x200		15	25		27		34					
			2.5	6.6	5.1	10	3.7	14	4.8	24			
6.0	800x100 500x150 400x200		15	21		28		34					
			2.4	6	2.7	8	3.7	14	4.6	22			
7.5	1000x100 500x200 300x300		15	24		29		33					
			2.2	5	3	10	3.7	14	4.4	20			
9.3	800x150 600x200 400x300		18	25		28		35					
			2.4	6	3	10	3.5	13	4.6	22			
12.5	1000x150 800x200 400x400		15	22		28		35					
			2.2	5	2.6	7.1	3.3	11	4.4	20			
17.5	1000x200 500x400		15	22		28		34					
			1.9	3.8	2.2	6	3.2	11	3.9	16			
22.0	1000x300 500x500	NR	Lt										
		Vk	Δpt										

The NR values do not take into account room attenuation

Δpt	x0.3
NR	-9

Correction for GRQPF PP

Δpt	x1.2
NR	=

Correction for GRFPF PP

All prices are list prices for local market, for a quotation please contact us.

**GR20PF PP price list**

H/L	200	250	300	400	500	600	800	1000	1200
150	43	55	65	69	76	81	100	113	131
200	47	59	69	76	81	88	107	119	145
300	50	73	88	95	100	107	131	150	176
400	56	83	100	108	113	119	139	176	188
500	62	95	113	124	131	139	164	188	207
600	67	99	119	139	158	170	182	201	226

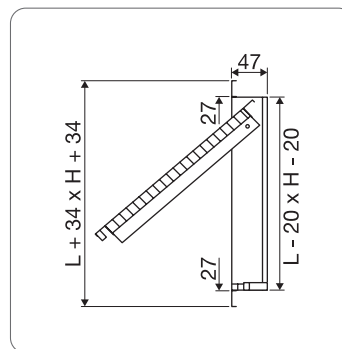
**GRQ PF PP price list**

H/L	200	250	300	400	500	600	800	1000	1200
150	70	86	104	117	124	136	154	164	184
200	77	97	115	131	140	151	175	182	201
300	86	108	129	161	174	187	224	245	276
400	108	135	161	178	192	213	253	320	374
500	115	144	174	192	229	248	301	353	431
600	125	155	187	213	248	275	339	368	472

**GRF PF W PP price list**

H/L	200	250	300	400	500	600	800	1000	1200
150	48	61	72	77	84	90	111	125	145
200	52	65	77	84	90	98	119	132	161
300	55	81	98	105	111	119	146	167	196
400	62	92	111	120	125	132	154	196	209
500	69	105	125	138	146	154	182	209	230
600	74	110	132	154	175	189	202	223	251

**GRQ PF PP**



**GR20PF PP**

