

SMRZ



▶ **PRODUCT WITH DECLARATION OF CONFORMITY UNI 9494/2 - 2017 FOR TEMPERATURES UP TO 722 °C**

Description

SMRZ: supply/return grille with double deflection blades, 1 vertical calendered to circular duct

- made of galvanised steel
- fastening with screws (not included)

SMRVZ: like SMR but single vertical row

SMRHZ: like SMR but single horizontal row

Accessories

SC: control damper

SK: deflector flap damper with equaliser with multiple adjustable blades

(price on request)

Special versions

- version in AISI 304/316 stainless steel

W: RAL 9010 coating (list price +20%)

VR: coating according to RAL 9005 / 9006 table fixed surcharge €30 + 20% per piece

Other RAL colours on request

All prices are list prices for local market, for a quotation please contact us.

SMRZ price list

H/L	225	325	425	525	625	825	1025
75	24	30	35	41	45	60	75
125	29	37	43	51	52	75	93
225	-	-	56	67	74	102	125

SMRVZ price list

H/L	225	325	425	525	625	825	1025
75	23	29	33	39	43	57	72
125	28	35	41	48	49	72	88
225	-	-	54	64	71	97	118

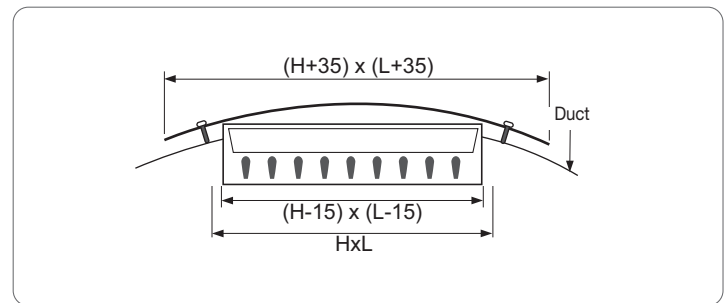
SMRHZ price list

H/L	225	325	425	525	625	825	1025
75	22	27	32	37	41	54	68
125	26	33	38	46	46	68	84
225	-	-	51	61	67	92	112

SC

H/L	225	325	425	525	625	825	1025
75	14	14	15	17	19	25	32
125	17	17	20	23	25	33	40
225	25	25	28	35	38	46	54

SMRZ



Selection table - Vt 0.375 m/s

AK (dm ²)	L x H (mm)	Flow rate (m ³ /h)																							
		100		150		200		300		400		500		600		800		1200		1600		2000		3000	
1.1	325x75	17	2.8	28	4.1	35	5.5	4.5	8.3																
		2.5	16	3.8	35	5.1	62	7.6	140																
1.5	425x75	-	2.4	20	3.6	28	4.7	38	7.1	46	9.5														
		1.9	8.4	2.8	19	3.7	33	5.5	75	7.4	134														
1.9	525x75			15	3.2	23	4.2	33	6.3	41	8.4	47	11												
				2.2	12	2.9	21	4.4	47	5.8	83	7.3	130												
2.3	625x75 325x125					18	3.8	29	5.7	37	7.6	42	9.6	47	11										
						2.4	14	3.6	32	4.8	47	6.0	89	7.2	128										
3.0	825x75 425x125							23	5	31	6.7	37	8.4	41	10										
								2.8	19	3.7	33	4.6	52	5.5	75										
3.7	1025x75 525x125							19	4.5	26	6	32	7.5	37	9.0	44	12								
								2.2	12	3.0	22	3.7	34	4.5	49	6.0	88								
4.5	625x125 325x225									22	5.5	28	6.8	32	8.2	40	11								
										2.5	15	3.1	23	3.7	33	4.9	59								
6.0	825x125 425x225											22	5.9	26	7.1	34	9.5	44	14						
												23	13	2.8	19	3.7	33	5.5	75						
7.5	1025x125 525x225											17	5.3	21	6.4	29	8.5	39	13	47	17				
												1.9	8.4	2.2	12	3.0	22	4.4	47	5.9	85				
9.0	1225x125 625x225													17	5.8	25	7.7	36	12	43	15	49	19		
														1.9	8.4	2.5	15	3.6	33	5	59	6.1	93		
12.0	825x225															19	6.7	29	10	37	13	43	17	53	25
																1.9	8.4	2.7	19	3.7	33	4.5	52	7	118
15.0	1025x225	NR	Lt															24	3.0	32	12	38	15	48	22
		Vk	Δpt																2.2	12	3	21	3.7	33	4.5

The NR values do not take into account room attenuation