

## SMVHZ



► **PRODUCT WITH DECLARATION OF CONFORMITY UNI 9494/2 - 2017 FOR TEMPERATURES UP TO 722 °C**

### Description

**SMVHZ:** supply grilles with two rows of adjustable blades (1st vertical)

- made of galvanised steel
- fastening with snap-on clips

**SMHVZ:** like SMVHZ but with 1st row of adjustable blades +10%

**SMVZ:** single row of vertical adjustable blades -5%

**SMHZ:** single row of horizontal adjustable blades -10%

**special terms and conditions:** control damper

**PL:** side entry plenum

**PT:** plenum with rear entry

**I:** external anti-condensate insulation reaction to fire class B-s2-dO (list price € 30)

**CT:** counterframe for fastening with snap-on clips

### Special versions

**SM....W:** RAL 9010 finish (list price +20%)

**SM....X:** AISI 304/316 stainless steel finish (on request)

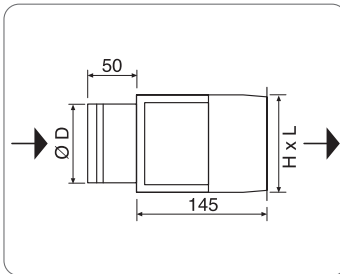
**SM....FV:** fastening with visible screws (not included)

**VR:** coating according to RAL 9005 / 9006 table

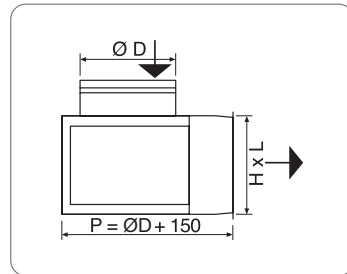
fixed surcharge €30 + 20% per piece

Other RAL colours on request

### PT



### PL



All prices are list prices for local market, for a quotation please contact us.

### Price list

H/L	200	300	400	500	600	800	1000	1200
100	12	15	18	22	25	33	43	58
150	14	19	22	27	31	43	62	81
200	16	21	26	31	35	50	70	90
300	21	28	34	41	47	66	92	109
400	-	-	-	50	70	82	99	117

### SC price list

H/L	200	300	400	500	600	800	1000	1200
100	10	11	12	14	17	21	26	32
150	11	12	14	17	20	26	29	33
200	14	16	17	20	24	29	32	35
300	16	20	24	26	28	35	41	48
400	17	24	27	33	35	42	49	59

Delivery: prices in bold in stock

### CT price list

H/L	200	300	400	500	600	800	1000	1200
100 150 200	9			12			19	
300 400	-	12	12					

### PL-PT price list

LxH	Φ D	€
200 x 100	80	38
300 x 100	100	41
400 x 100	100	42
500 x 100	100	48

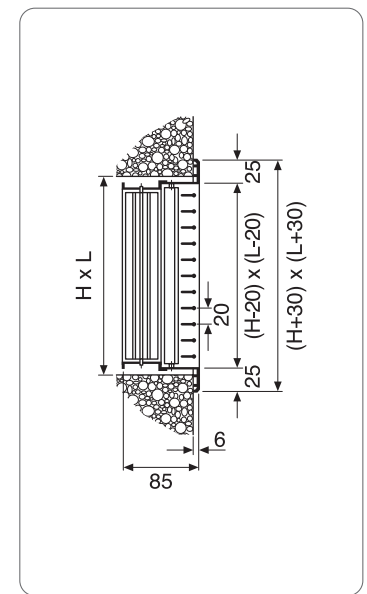
LxH	Φ D	€
300 x 150	125	41
400 x 150	150	46
500 x 150	150	53
600 x 150	150	58

LxH	Φ D	€
400 x 200	200	49
500 x 200	200	56
600 x 200	200	62

LxH	Φ D	€
400 x 300	250	60
500 x 300	300	69
600 x 300	300	72

Circular/oval entries instead of standard + € 30 each list price

### SMVHZ/SMHVZ/SC



### Selection table for SMVH-SMHV-SMV-SMH (with ceiling effect A) Vt 0.375 m/s

AK (dm²)	L x H (mm)	Flow rate (m³/h)																			
		150		200		300		400		500		700		900		1200		1500			
1.1	200x100	-	4.1	19	5.5	28	8.2														
		3.8	10	5.0	18	7.6	40														
1.6	300x100	-	3.4	-	4.5	21	6.8	28	9.1												
		2.6	5	3.5	8	5.2	19	6.9	3.4												
2.4	400x100 300x150	-	3.7	-	5.6	20	7.4	25	9.3												
		2.3	4	3.5	8	4.6	15	5.8	23												
3.0	500x100	-	5.0	16	6.0	21	8.3	29	12												
		2.8	5	3.7	10	4.6	15	6.5	29												
4.0	600x100 400x150 300x200	-	4.3	-	5.7	-	7.2	23	10	29	13										
		2.1	3	2.8	5	3.5	8	4.9	17	6.2	27										
4.9	800x100 500x150 400x200	-	5.2	-	6.5	19	9.1	25	12	32	16										
		2.3	4	2.8	6	4.0	11	5.1	18	6.8	32										
6.0	600x150 500x200	-	5.9	15	8.2	21	11	22	14	34	18										
		2.3	4	3.2	7	4.2	12	5.5	22	6.9	34										
7.8	800x150 600x200	-	7.2	16	9.2	23	12	29	15	34	18										
		2.5	4	3.2	7	4.3	13	5.3	20	6.9	34										
10.5	800x200 500x300	-	8.0	17	11	23	13	34	18	34	18										
		2.4	4	3.2	7	4.0	11	5.1	18	6.8	32										
13.2	600x300	-	9.5	18	12	34	18	34	18	34	18										
		2.5	4	3.2	7	4.0	11	5.1	18	6.8	32										
16.0	800x300	-	8.6	-	11	-	-	-	-	-	-										
		2.1	3	2.6	5	-	-	-	-	-	-	-									
21.0	1000x300	NR	Lt																		
		Vk	Δpt																		

The NR values do not take into account room attenuation

### K factors for other Vt

v <sub>t</sub> (m/s)	0.25	0.375	0.50	
L <sub>t</sub> (m)	Ax	1.50	1	0.75
	Bx	1.05	0.7	0.53

B = without ceiling effect

α = angle of blades

β = angle of air jet

### K factor for deflection

α	β	Lt	Vk	Δpt	NR
22°	35°	x0.77	x1.15	x1.30	+3
45°	60°	x0.55	x1.25	x1.60	+6