



## Description

**WPLS:** air intake/expulsion grille in natural aluminium, blade pitch 30 mm with rainproof profile, including wire mesh

**WPLS W:** like WPLS but coated with RAL 9010

**WPL:** air intake/expulsion grille in natural aluminium, blade pitch 75 mm with rainproof profile, including wire mesh

**WPL W:** like WPL but coated with RAL 9010

## Special versions

**ELOX:** natural anodised aluminium (on request)

**VR:** coating according to RAL 9005 / 9006 table fixed surcharge €30 + 20% per piece

Other RAL colours on request

## WPLS selection table

V	ΔPt	LpA
1.0	7	21
1.5	16	28
2.0	28	34
2.5	46	40
3.0	68	43
3.5	92	45
4.0	118	48
4.5	155	50
5.0	180	52

## WPL selection table

V	ΔPt	LpA
1.0	7	21
1.5	16	28
2.0	28	34
2.5	46	40
3.0	63	43
3.5	89	45
4.0	114	48
4.5	148	50
5.0	180	52

V: velocity referring to front section (B-25) x (H-75) m/s

ΔPt: pressure drop in Pa

LpA: sound level pressure, measured in free field at a distance of 2 metres, hemispherical

All prices are list prices for local market, for a quotation please contact us.

## WPLS price list

H/L	200	300	400	500	600	700	800	900	1000	1100	1200
200	43	61	68	75	82	89	96	103	110	117	124
300	67	76	85	95	104	113	122	131	140	149	158
400	81	92	103	114	126	137	148	159	170	181	192
500	95	108	121	134	148	161	174	187	200	213	226
600	109	124	139	154	169	185	200	215	230	245	260
800	136	156	175	194	213	232	252	271	290	309	328
1000	164	187	211	234	257	280	304	327	350	373	396
1200	192	219	246	274	301	328	355	383	410	437	464

## WPLS W price list

H/L	200	300	400	500	600	700	800	900	1000	1100	1200
200	49	70	78	86	94	102	110	118	127	135	143
300	77	88	98	109	119	130	140	151	161	172	182
400	93	106	119	132	144	157	170	183	196	208	221
500	109	124	139	155	170	185	200	215	230	245	260
600	125	143	160	177	195	212	230	247	265	282	299
800	157	179	201	223	245	267	289	311	334	356	378
1000	189	216	242	269	296	322	349	376	403	429	456
1200	221	252	283	315	346	377	409	440	471	503	534

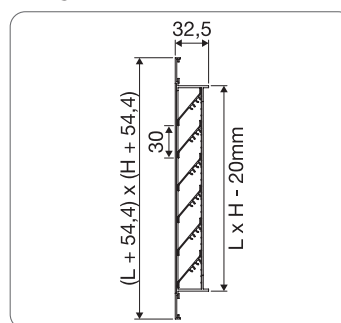
## WPL price list

H/L	200	400	600	800	1000	1200	1400	1600	1800	2000
400	89	114	138	163	187	212	236	260	285	309
600	120	153	186	220	253	286	320	353	386	420
800	150	192	235	277	319	361	403	446	488	530
1000	181	232	283	334	385	436	487	538	589	641
1200	211	271	331	391	451	511	571	631	691	751
1400	242	310	379	448	517	586	655	724	792	861
1600	272	350	427	505	583	661	738	816	894	972
1800	302	389	476	562	649	736	822	909	995	1082
2000	333	428	524	619	715	810	906	1001	1097	1192

## WPL W price list

H/L	200	400	600	800	1000	1200	1400	1600	1800	2000
400	103	131	159	187	215	243	271	300	328	356
600	138	176	214	253	291	329	368	406	444	483
800	173	221	270	318	367	415	464	513	561	610
1000	208	266	325	384	443	502	560	619	678	737
1200	243	312	381	450	519	588	657	726	795	863
1400	278	357	436	515	594	674	753	832	911	990
1600	313	402	492	581	670	760	849	939	1028	1117
1800	348	447	547	647	746	846	945	1045	1145	1244
2000	383	493	602	712	822	932	1042	1152	1261	1371

## WPLS



## WPL

