

Description

TN: centrifugal exhaust roof fan with horizontal flow

- made of galvanised steel
- protective cap in thermoplastic polymer (ABS)
- centrifugal impeller with backward inclined blades
- closed motor with external ventilation, IP 55 protection rating, class F insulation
- air temperature from -20°C to +80°C

TN 400°: centrifugal exhaust roof fan with horizontal jet approved at 400 ° 2 h

- uprights, motor plate, protective mesh in galvanised steel
- protective cap in thermoplastic polymer (ABS)
- centrifugal impeller with backward inclined blades
- closed motor with external ventilation, IP 55 protection rating, class F insulation
- air temperature 80°C in continuous use or 400°C for hours in an emergency

TNV: centrifugal exhaust roof fan with vertical flow

- made of galvanised steel
- centrifugal impeller with backward inclined blades
- closed motor with external ventilation, IP 55 protection rating, class F insulation
- air temperature from -20°C to +80°C

TNV 200°: centrifugal exhaust roof fan with vertical flow

- base, motor plate with heat sink, protective mesh, motor protection cover, impeller air conveyor, made of galvanised sheet metal
- centrifugal impeller with backward inclined blades
- closed motor with external ventilation, IP 55 protection rating, class F insulation and bearings with "C3" tolerance
- air temperature from -20°C to +200°C

TNV 400°: centrifugal exhaust roof fan with vertical flow approved at 400 ° 2 h

- base, motor plate with heat sink, protective mesh, motor protection cover, impeller air conveyor, made of galvanised sheet metal
- centrifugal impeller with backward inclined blades
- closed motor with external ventilation, IP 55 protection rating, class F insulation
- air temperature 80°C in continuous use or 400°C for hours in an emergency

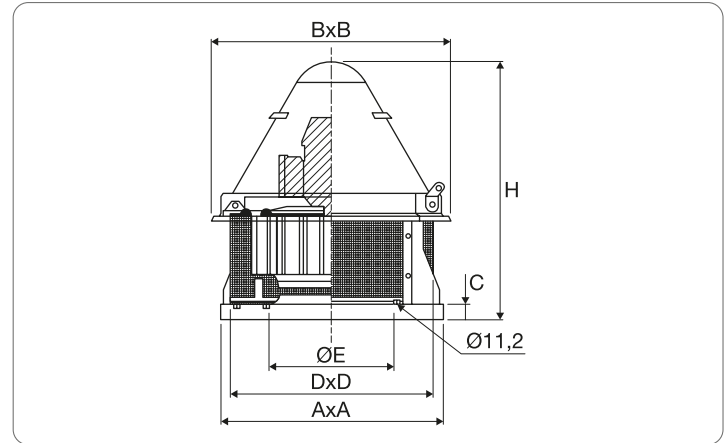
Accessories

- counter-base to set in CB
- gravity damper SG
- frame for flat cover, externally insulated (on request)
- inverter

Special executions

- M:** single-phase
T: Three-phase

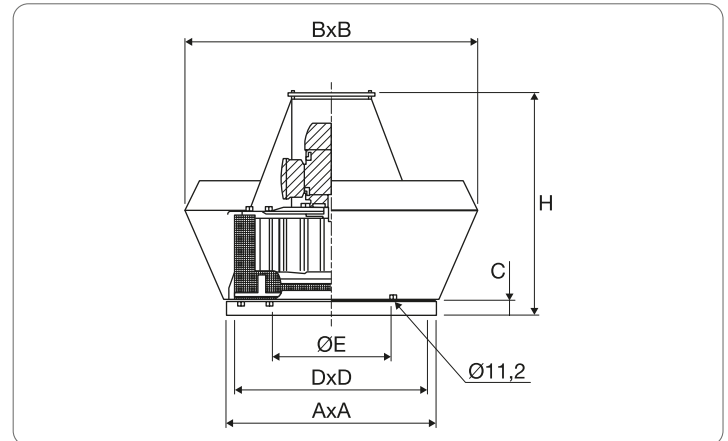
TN - Centrifugal exhaust roof fan with horizontal flow



Size	AxA	BxB	C	DxD	E	H	Kg
5	400	470	40	350	200	520	14
20	400	470	40	350	250	520	18
30	560	595	40	460	300	650	25
40	560	595	40	460	350	650	30
50	710	800	40	610	400	700	40
60	710	800	40	610	450	700	48
70	900	1000	40	800	500	880	57
80	900	1000	45	800	550	910	76
90	900	1000	45	800	600	940	96
100	900	1000	45	800	600	960	110
110	1200	1250	50	1100	640	1120*	170
120	1200	1250	50	1100	710	1160*	195

*: square cap

TNV - centrifugal exhaust roof fan with vertical flow



Size	AxA	BxB	C	DxD	ØE	H	Kg
5	400	590	40	350	200	480	18
20	400	590	40	350	250	500	22
30	560	780	40	460	300	630	30
40	560	780	40	460	350	630	37
50	710	930	40	610	400	700	48
60	710	930	40	610	450	730	58
70	900	1210	40	800	500	780	69
80	900	1210	45	800	550	820	91
90	900	1210	45	800	600	860	112
100	900	1210	45	800	600	900	128
110	1200	1600	50	1100	640	1160	194
120	1200	1600	50	1100	710	1200	209

Price list

All prices are list prices for local market, for a quotation please contact us.

GR	Motor			Price list €						
	Poles	Phase	kW	TN	TN 400°	TNV	TNV 200°	TNV 400°	SG	CB
05	4	M	0,12	1.243	-	1.457	-	-	214	182
05	4	T	0,12	1.386	-	1.291	-	-		
05	6	T	0,09	1.307	-	1.212	-	-		
20	4	M	0,18	1.267	1.286	1.240	1.822	ON REQUEST	230	182
20	4	T	0,18	1.426	1.402	1.110	1.658	ON REQUEST		
20	6	T	0,09	1.346	1.283	1.121	ON REQUEST	ON REQUEST		
20	4/6	T	0,26/0,09	1.560	1.711	ON REQUEST	ON REQUEST	2.035		
30	4	M	0,25	1.521	1.576	1.476	2.281	ON REQUEST	233	190
30	4	T	0,25	1.426	1.560	1.312	1.925	ON REQUEST		
30	6	T	0,18	1.552	ON REQUEST	1.338	1.934	ON REQUEST		
30	8	T	0,12	1.576	ON REQUEST	ON REQUEST	ON REQUEST	ON REQUEST		
30	4/6	T	0,29/0,09	1.742	1.861	1.639	ON REQUEST	ON REQUEST		
40	4	M	0,37	1.647	1.703	1.598	2.279	1.860	253	190
40	4	T	0,37	1.616	1.508	1.375	2.091	1.750		
40	6	T	0,18	1.703	ON REQUEST	ON REQUEST	ON REQUEST	ON REQUEST		
40	8	T	0,12	1.616	ON REQUEST	ON REQUEST	ON REQUEST	ON REQUEST		
40	4/6	T	0,55/0,18	1.742	2.194	2.305	2.593	ON REQUEST		
50	4	M	0,75	2.075	2.305	1.940	2.761	ON REQUEST	261	206
50	4	T	0,75	2.297	2.321	2.186	2.601	2.384		
50	6	T	0,37	2.218	2.368	ON REQUEST	ON REQUEST	ON REQUEST		
50	8	T	0,18	2.313	ON REQUEST	2.123	ON REQUEST	ON REQUEST		
50	4/6	T	0,75/0,25	2.455	2.677	2.534	3.117	ON REQUEST		
50	6/8	T	0,37/0,15	2.416	2.614	ON REQUEST	ON REQUEST	ON REQUEST		
60	4	T	1,50	2.661	2.772	2.740	2.960	2.978	293	206
60	6	T	0,37	2.645	2.519	1.882	ON REQUEST	ON REQUEST		
60	8	T	0,18	2.622	ON REQUEST	2.107	ON REQUEST	ON REQUEST		
60	4/6	T	1,1/0,37	2.994	3.160	2.601	3.673	ON REQUEST		
60	6/8	T	0,37/0,15	2.677	2.843	ON REQUEST	ON REQUEST	ON REQUEST		
70	4	T	2,20	2.930	-	2.835	4.221	-	348	222
70	6	T	0,75	3.136	2.835	2.653	3.388	ON REQUEST		
70	8	T	0,37	2.994	3.160	2.986	ON REQUEST	ON REQUEST		
70	4/6	T	2,2/0,75	3.326	-	ON REQUEST	ON REQUEST	ON REQUEST		
70	6/8	T	1,25/0,60	3.627	3.833	ON REQUEST	ON REQUEST	ON REQUEST		
80	6	T	1,10	3.326	3.271	3.208	4.313	3.589	372	246
80	8	T	0,55	3.160	ON REQUEST	3.147	ON REQUEST	3.485		
80	6/8	T	1,25/0,60	4.261	4.269	3.730	ON REQUEST	ON REQUEST		
90	6	T	2,20	4.055	3.944	4.063	5.132	4.150	388	246
90	8	T	1,10	3.786	3.936	3.691	ON REQUEST	ON REQUEST		
90	6/8	T	1,84/0,81	4.744	ON REQUEST	4.372	ON REQUEST	ON REQUEST		
100	6	T	3,00	4.570	4.573	4.385	5.653	ON REQUEST	768	261
100	8	T	2,20	4.586	4.519	4.530	ON REQUEST	ON REQUEST		
100	6/8	T	3/1,5	6.328	6.494	4.475	ON REQUEST	ON REQUEST		
110	6	T	4,00	6.233	-	ON REQUEST	-	-	784	261
110	8	T	3,00	6.027	-	ON REQUEST	-	-		
110	6/8	T	4,4/2,9	7.800	-	ON REQUEST	-	-		
120	6	T	7,50	7.904	-	ON REQUEST	-	-	784	261
120	8	T	4,00	7.603	-	ON REQUEST	-	-		
120	6/8	T	7,5/3,7	ON REQUEST	-	ON REQUEST	-	-		

Selection table

GR	Motor			Static pressure (Pa)														Noise Lp dB(A)
	Poles	Phase	kW	0		100		200		300		400		500		600		
				Flow rate (m³/h)														
05	4	M	0.12	1150		800		-		-		-		-		-		52
05	4	T	0.12	1150		800		-		-		-		-		-		52
05	6	T	0.09	750		-		-		-		-		-		-		42
20	4	M	0.18	1800		1500		1050		-		-		-		-		58
20	4	T	0.18	1800		1500		1050		-		-		-		-		58
20	6	T	0.09	1210		530		-		-		-		-		-		49
20	4/6	T	0.26/0.09	1800	1210	1500	530	1050	-	-	-	-	-	-	-	-	-	58/49
30	4	M	0.25	3050		2700		2150		1480		-		-		-		61
30	4	T	0.25	3050		2700		2150		1480		-		-		-		61
30	6	T	0.18	2000		1250		-		-		-		-		-		51
30	8	T	0.12	1600		-		-		-		-		-		-		49
30	4/6	T	0.29/0.09	3050	2000	2700	1250	2150	-	1480	-	-	-	-	-	-	-	61/51
40	4	M	0.37	4050		3550		3050		2550		1550		-		-		62
40	4	T	0.37	4050		3550		3050		2550		1550		-		-		62
40	6	T	0.18	2650		1800		-		-		-		-		-		52
40	8	T	0.12	-		-		-		-		-		-		-		50
40	4/6	T	0.55/0.18	4050	2650	3550	1800	3050	-	2550	-	1550	-	-	-	-	-	62/52
50	4	M	0.75	5600		5150		4500		3900		3000		1900		-		67
50	4	T	0.75	5600		5150		4500		3900		3000		1900		-		67
50	6	T	0.37	3600		2800		1400		-		-		-		-		57
50	8	T	0.18	2600		1500		-		-		-		-		-		55
50	4/6	T	0.75/0.25	5600	3600	5150	2800	4500	1400	3900	-	3000	-	1900	-	-	-	67/57
50	6/8	T	0.37/0.15	3600	2600	2800	1500	-	-	-	-	-	-	-	-	-	-	57/
60	4	T	1.50	8100		7800		7000		6100		5400		4200		2700		70
60	6	T	0.37	5100		4200		2900		-		-		-		-		59
60	8	T	0.18	4100		2800		-		-		-		-		-		54
60	4/6	T	1.1/0.37	8100	5100	7800	4200	7000	2900	6100	-	5400	-	4200	-	2700	-	70/59
60	6/8	T	0.37/0.15	5100	4100	4200	2800	2900	-	-	-	-	-	-	-	-	-	59/54
70	4	T	2.20	9600		9000		8350		7500		7000		6400		6000		70
70	6	T	0.75	7000		6000		5000		3500		-		-		-		63
70	8	T	0.37	5500		4150		2200		-		-		-		-		56
70	4/6	T	2.2/0.75	9600	7000	9000	6000	8350	5000	7500	3500	7000	-	6400	-	6000	-	70/63
70	6/8	T	1.25/0.60	7000	5500	6000	4150	5000	2200	3500	-	-	-	-	-	-	-	53/56
80	6	T	1.10	10700		9800		8400		6500		4500		-		-		67
80	8	T	0.55	8400		7600		4600		-		-		-		-		59
80	6/8	T	1.25/0.60	10700	8400	9800	7600	8400	4600	6500	-	4500	-	-	-	-	-	67/59
90	6	T	2.20	14000		12800		11000		9100		7500		4800		-		72
90	8	T	1.10	11000		9000		6800		3800		-		-		-		63
90	6/8	T	1.84/0.81	14000	11000	12800	9000	11000	6800	9100	3800	7500	-	4800	-	-	-	72/63
100	6	T	3.00	18200		17000		15500		13600		11500		9000		6000		76
100	8	T	2.20	14400		12600		10000		7000		-		-		-		66
100	6/8	T	3/1.5	18200	14400	17000	12600	15500	10000	13600	7000	11500	-	9000	-	6000	-	76/66
110	6	T	4.00	24000		22900		21500		19800		18500		16200		13200		73
110	8	T	3.00	19000		16800		14500		12000		8000		-		-		65
110	6/8	T	4.4/2.9	24000	19000	22900	16800	21500	14500	19800	12000	18500	8000	16200	-	13200	-	73/65
120	6	T	7.50	30000		29000		28000		26500		25000		23000		20000		75
120	8	T	4.00	23500		22000		20400		18000		13000		-		-		67
120	6/8	T	7.5/3.7	30000	23500	29000	22000	28000	20400	26500	18000	25000	13000	23000	-	20000	-	75/67