

## KTM



- ▶ **VDI 6022 HYGIENIC STANDARD**
- ▶ **CERTIFICATION FOR ASSEMBLY OUTSIDE THE WALL UP TO 1 METRE**

### Description

EI 120 S fire damper according to UNI EN 1366-2 classification UNI EN 13501-3 certificate no. 1438-CPR-0529

CE marking - VDI 6022 hygienic certificate

- Construction: Z275 galvanised steel frame th. 10/10 male coupling for direct insertion into the duct, offset blade in calcium silicate mounted on steel shafts and brass bearings, intumescent gasket and perimeter gasket for tightness against cold fumes
- Vertical or horizontal installation
- Leakage Class B of the frame according to EN 1751

### Fitted with:

- **Manual version:** with 72°C thermal fuse, spring return and microswitch
- **Motorised version:** actuators with 72°C thermal fuse, spring return, 24V and 230V dual microswitch

- Installations in walls with fire resistance classes EI 120/90/60 with blade installed in the wall or outside
- Ceilings th. 150 mm
- Low density masonry walls with th. 115 mm
- Plasterboard walls th. 125 mm
- Outside the wall th. 120 mm up to 1 metre (EI 90S)
- Minimum distance wall or duct 10 mm

### EI 120 (v. h. i ↔ o) S

**KTM** (male connection) **UP** (external gaskets), frame 195 mm, with fuse and spring return

**KTM-UP - W:** frame 195 mm, with fuse, spring return and micro switch (W1 - W2 - W12)

- **W1:** limit switch on closing
- **W2:** limit switch on opening
- **W12:** limit switch opening and closing

**KTM-E24T:** with actuator with spring return, thermal fuse and double opening and closing micro limit switch, 24V power supply, male connection, 307 mm frame

**KTM-E230T:** with servomotor with return spring, thermal fuse and double opening and closing micro limit switch, 230V power supply, male connection, 307 mm frame

### Special executions

- Execution in AISI 304 stainless steel
- Execution in galvanised steel coated according to the RAL table
- Blade treated with solvent-free, silicate-based impregnating agent, for acidic or very humid environments
- 95°C thermal fuse for motorised version
- Special executions for "cabin/container" metal structures with installation outside the wall
- Additional communication systems (see page 10)

All prices are list prices for local market, for a quotation please contact us.

### KTM price list

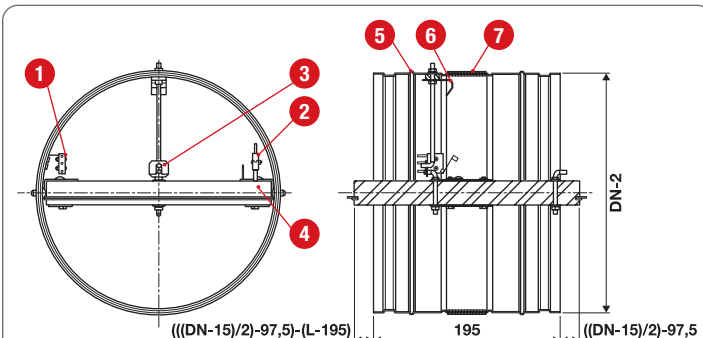
DN	100	125	160	200	250
WITHOUT GASKET	68	73	85	93	102
WITH UP GASKET	79	84	98	109	123
1 MICRO W1 - W2	97	101	114	122	131
2 MICRO W12	122	127	139	147	156
E24T	435	<b>439</b>	<b>448</b>	<b>456</b>	<b>466</b>
E24T + UP	441	445	455	465	478
E230T	467	471	480	487	497
E230T + UP	472	477	487	496	510

Spare FUSE 72°C

16

Delivery: prices in bold in stock

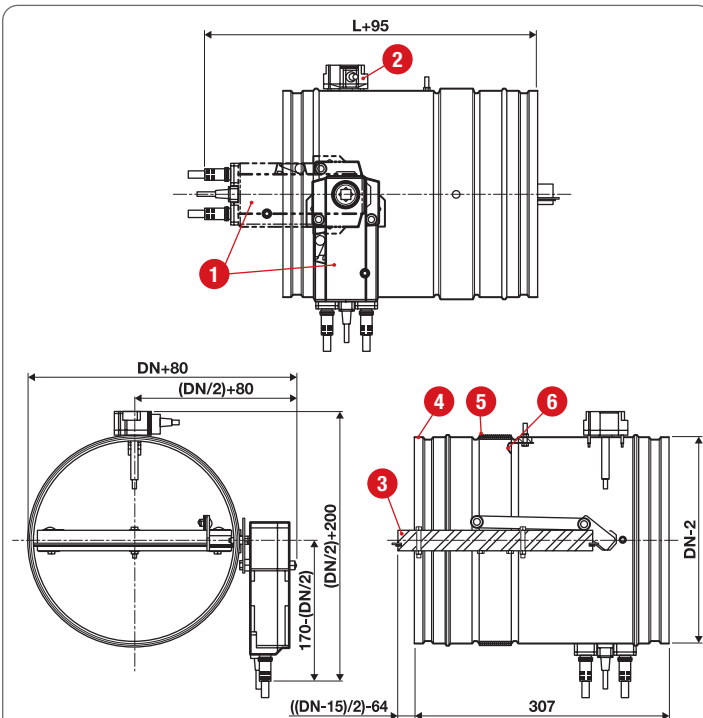
### Dimensions KTM



#### Key:

1. Limit switch (closed blade position)
2. Limit switch (open blade position)
3. Thermal fuse
4. Blade
5. Frame
6. Blade stop
7. Internal and external intumescent gasket

### KTM-E dimensions

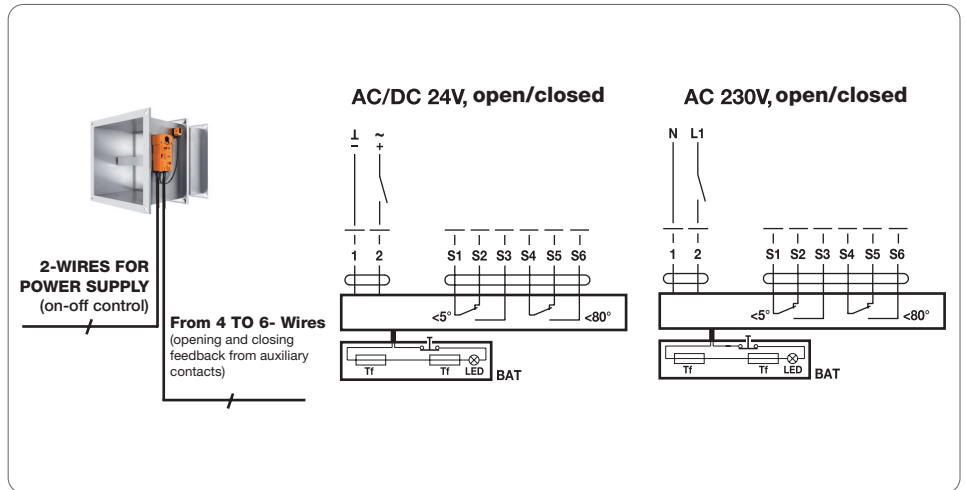


#### Key:

1. Electric actuator - horizontal and vertical position
2. Thermo-electric fuse device
3. Blade
4. Frame
5. Internal and external intumescent gasket
6. Blade stop

## Standard actuator

- BFL24-T
- BFN24-T
- BF24-T
- BFL230-T
- BFN230-T
- BF230-T

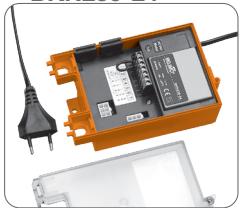


## Control and warning

### Actuators:

- All 24V actuators with T-ST extension
- BFL24-T-ST
- BFN24-T-ST
- BF24-T-ST

### BKN230-24



#### Description

- Power supply and communication unit for actuators for 24V fire damper with ST socket
- Built-in status light
- Possible connection to a smoke detector, without additional power supply
- AC 230V power supply

### BKS24-1B



#### Description

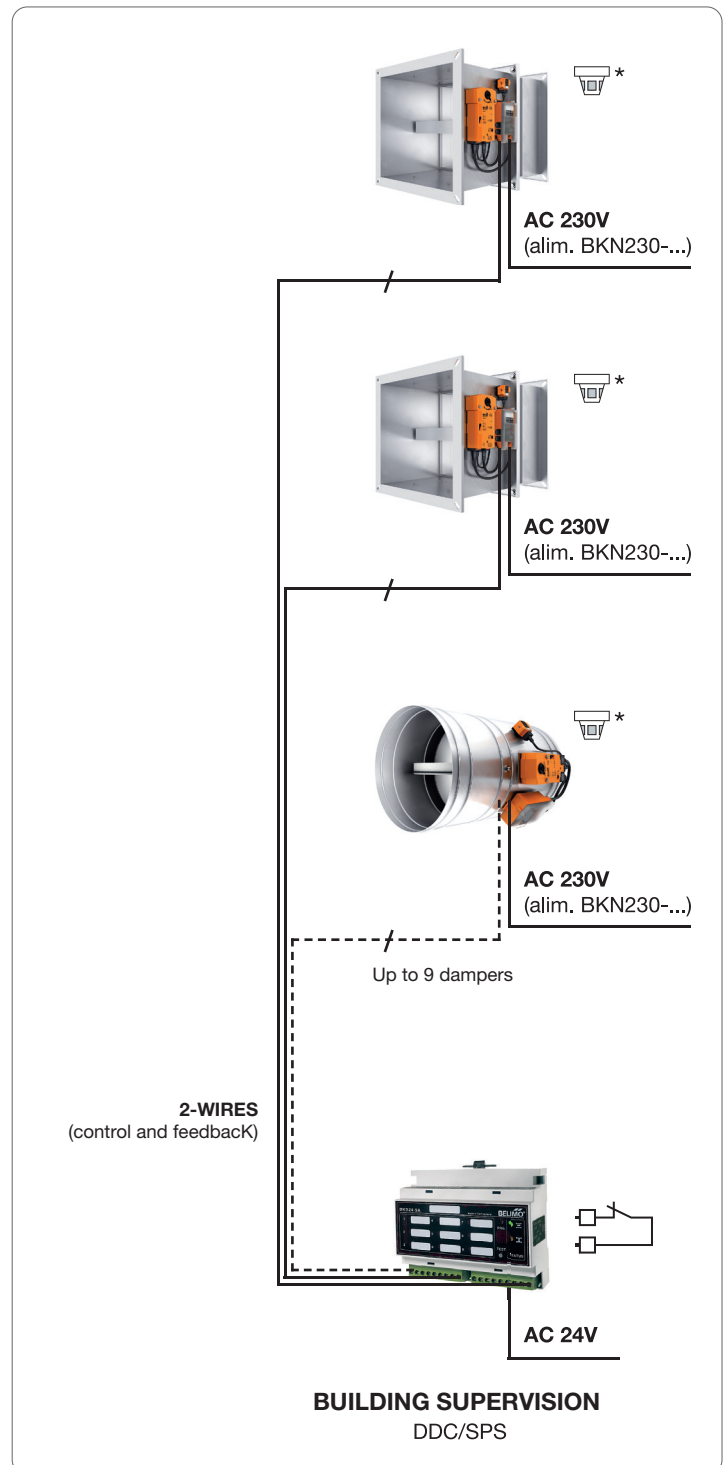
- Communication and control unit for fire damper
- Control and monitoring of 1 damper
- Built-in status light
- ZSO-11 connection base required
- AC 24V power supply

### BKS24-9A



#### Description

- Communication and control unit for fire damper
- Control and monitoring of 9 dampers
- Built-in status light
- Connection plug terminals
- AC 24V power supply



## Modbus RTU and BACnet MS/TP

### Actuators:

- All 24V motors with T-ST extension

### BKN230-24-MOD



#### Description

- Power supply and communication unit for actuators for 24 V fire damper with ST socket
- BACnet MS/TP, Modbus RTU communication
- Built-in status light
- Possible connection to a smoke detector, without additional power supply
- AC 230V power supply

### UK24MOD



#### Description

- MP Gateway for Modbus RTU
- AC/DC 24V
- MP interface – Modbus RTU (RS-485)
- Connection of max. 8 actuators
- MP/MPL/MFT(2) incl. VAV and fire protection

## MP-Bus and DDC-Controller

### Actuators:

- All 24V motors with T-ST extension

### BKN230-24-C-MP



#### Description

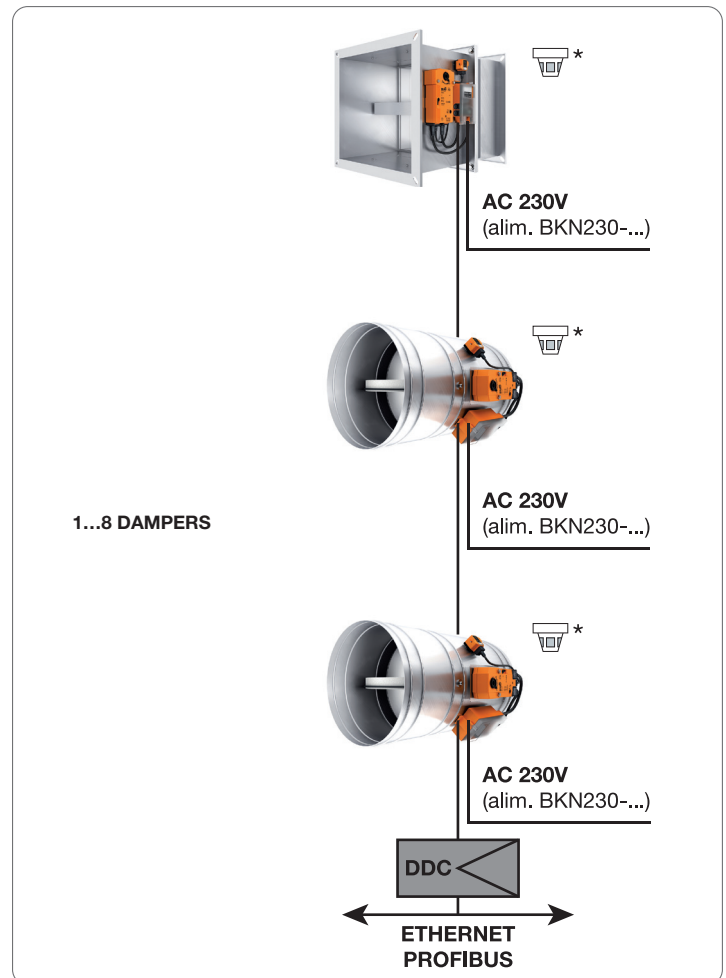
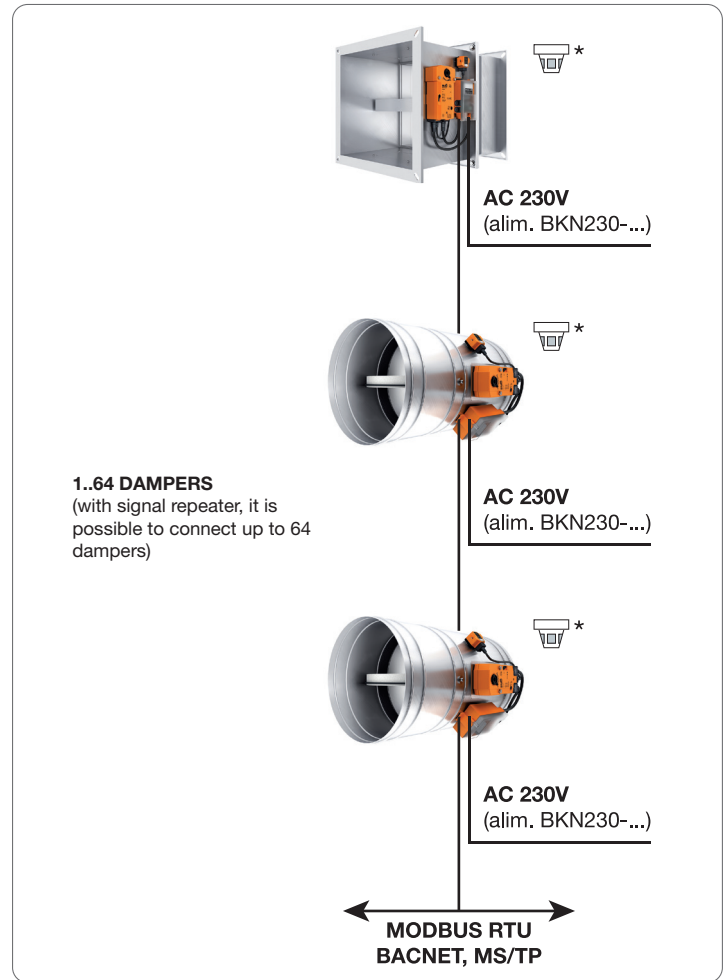
- Power supply and communication unit for actuators for 24 V fire damper with ST socket
- MP-Bus communication
- UK24MOD, UK24BAC and SBS control
- Built-in status light
- Possible connection to a smoke detector, without additional power supply
- AC 230V power supply

### UK24BAC



#### Description

- MP Gateway for BACnet MS/TP
- AC/DC 24V
- MP interface – BACnet MS/TP (RS-485)
- Connection of max. 8 actuators
- MP/MPL/MFT(2) incl. VAV and fire protection



All prices are list prices for local market, for a quotation please contact us.

## Price list - Fire damper systems

Cable / Socket for systems	€
T-ST	50

Power supply and communication systems	€
BKN 230-24	280
BKN 230-24 C - MP	400
BKN 230-24 MOD	400
BKN 230-24 LON	620

Monitoring and control system	€
BKS 24-1	530
24-9A BKS	710
UK 24 MOD	830
UK 24 BAC	940

### Example:

Fire damper with 24V actuator and thermal fuse, take the list price for the motorised damper.  
 We combine the power supply and communication unit **BKN230-24** and to do so, we need to use the **T-ST** cable.  
**T-ST + BKN 230-24** we will get: € 50.00 + € 280.00 = € 330.00 to be added to the price of the 24V motorised damper.

We will then combine the monitoring and control system **BKS 24-1** or **BKS24-9A**.

Combine the components according to the "MOD-LON" communication system.

# Smoke control damper systems

All prices are list prices for local market, for a quotation please contact us.

## Price list - Smoke control damper systems

Cable / Socket for systems	€
T-ST	50

Power supply and communication systems	€
BKNE 230-24	380

Monitoring and control system	€
BKSE 24-6 UP TO 6 DAMPERS	530
BSIA24-48 PULSE, 24-48 V, NORM. OPEN	710
BSIA24-48 R FAIL SAFE / CUT-OFF, NORM. CLOSED	830