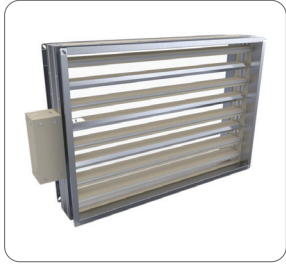


WKP-O-E



- ▶ **VDI 6022 HYGIENIC STANDARD**
- ▶ **MULTIPLE BLADES**

Description

Fire damper with multiple blades EI 120 S according to UNI EN 1366-2 classification UNI EN 13501-3 certificate no. 2434-CPR-0283
CE marking - VDI 6022 hygienic certificate

- Construction: Z275 galvanized steel frame with silicate fibre interposed, 30 mm flanges for ducting connection, counter blade movement, made of silicate fibre and fastened by bolts, intumescent gasket both on the blades and damper frame. Cold smoke sealing gasket
- Vertical installation on masonry wall
- Leakage class C of the frame according to EN 1751
- Max dimension 1200x800
- Frame depth 270 mm

Fitted with:

- electric actuators with thermal fuse at 72°C, spring return, double microswitch both 24V and 230V; housed in a special "box" to ensure continuity

- Installation in walls with fire-resistance classes EI 120/90
- Masonry walls min. th. 120 mm
- Plasterboard walls th. 125 mm

EI 120 (v_e i ↔ o) S - (horizontal blades)

EI120 (v_e o->i) S - (horizontal blades – plasterboard walls)

EI 90 (v_e i ↔ o) S - (vertical and horizontal blades)

E 120 (v_e i ↔ o) S - (vertical and horizontal blades)

WKP-O-E-K-24T: with actuator with spring return, thermal fuse and double opening and closing micro limit switch, 24V power supply

WKP-O-E-K-230T: with actuator with spring return, thermal fuse and double opening and closing micro limit switch, 230V power supply

Special constructions

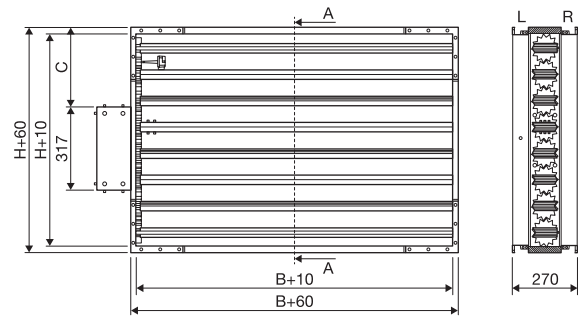
KL: left flange

KR: right flange

T: without flanges for air transit applications, frame th. 125 mm

- Additional communication systems (see page 10)

WKP-O-E dimensions



Overall actuator dimensions (317)x125

N	H	C
2	200	0
3	300	100
4	400	100
5	500	200
6	600	200
7	700	300
8	800	300

N: number of blades

H: damper height

All prices are list prices for local market, for a quotation please contact us.

WKP-O-E-K-24T price list

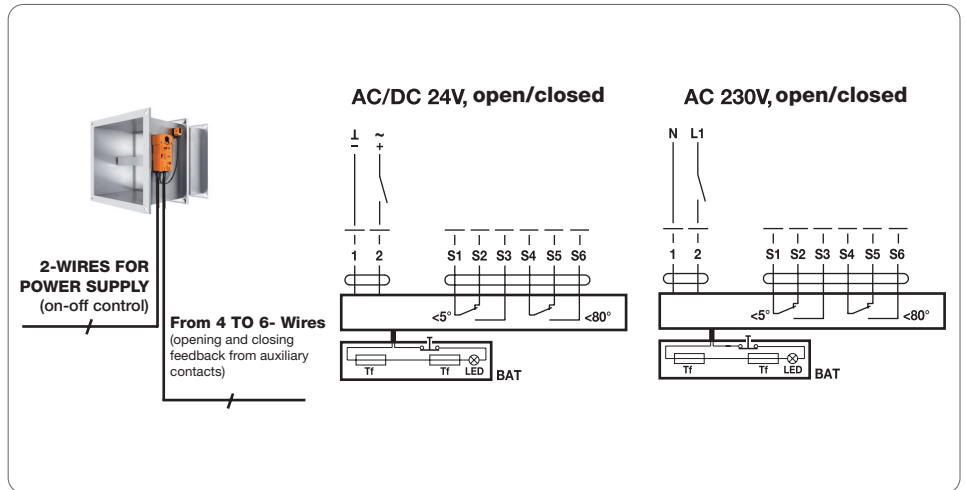
H/L	200	300	400	500	600	700	800	900	1000	1100	1200
200	795	817	839	862	885	909	932	955	977	1000	1022
300	828	854	880	905	931	958	984	1009	1035	1061	1086
400	856	885	918	947	975	1005	1034	1062	1090	1160	1188
500	888	920	956	987	1018	1051	1082	1154	1186	1217	1248
600	920	955	994	1028	1062	1138	1172	1206	1240	1274	1308
700	952	990	1031	1068	1146	1184	1221	1258	1295	1332	1369
800	984	1025	1069	1109	1189	1231	1270	1310	1350	1389	1429

WKP-O-E-K-230T price list

H/L	200	300	400	500	600	700	800	900	1000	1100	1200
200	829	851	874	896	919	943	966	989	1011	1034	1057
300	862	888	914	939	965	992	1018	1044	1069	1095	1120
400	890	919	952	981	1009	1039	1068	1096	1125	1236	1264
500	922	954	990	1021	1052	1085	1117	1231	1262	1293	1324
600	954	989	1028	1062	1096	1214	1248	1282	1316	1350	1384
700	986	1024	1066	1102	1222	1261	1297	1334	1371	1408	1445
800	1018	1059	1103	1143	1266	1307	1347	1386	1426	1465	1505

Standard actuator

- BFL24-T
- BFN24-T
- BF24-T
- BFL230-T
- BFN230-T
- BF230-T

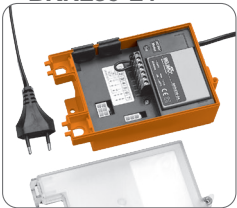


Control and warning

Actuators:

- All 24V actuators with T-ST extension
- BFL24-T-ST
- BFN24-T-ST
- BF24-T-ST

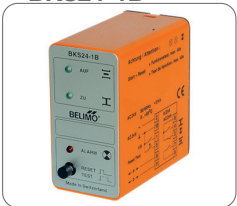
BKN230-24



Description

- Power supply and communication unit for actuators for 24V fire damper with ST socket
- Built-in status light
- Possible connection to a smoke detector, without additional power supply
- AC 230V power supply

BKS24-1B



Description

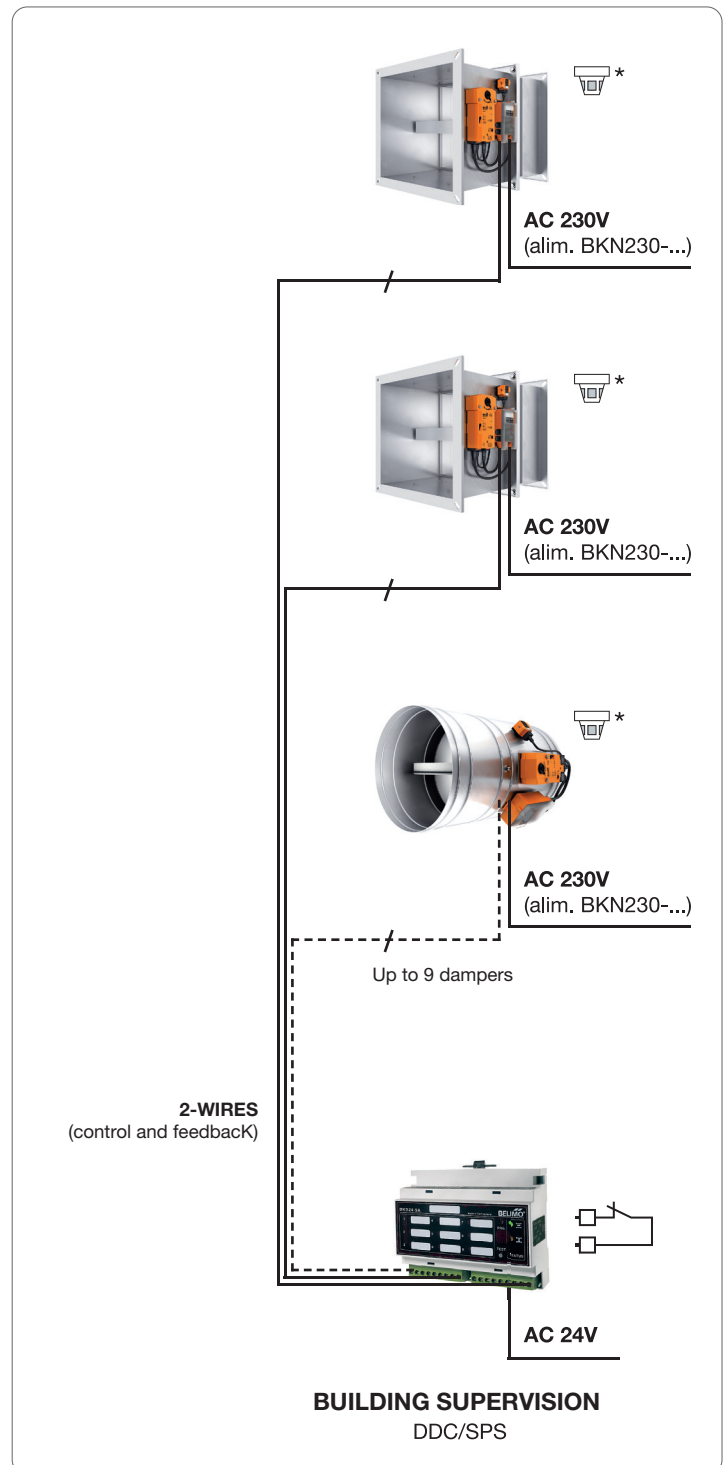
- Communication and control unit for fire damper
- Control and monitoring of 1 damper
- Built-in status light
- ZSO-11 connection base required
- AC 24V power supply

BKS24-9A



Description

- Communication and control unit for fire damper
- Control and monitoring of 9 dampers
- Built-in status light
- Connection plug terminals
- AC 24V power supply



Modbus RTU and BACnet MS/TP

Actuators:

- All 24V motors with T-ST extension

BKN230-24-MOD



Description

- Power supply and communication unit for actuators for 24 V fire damper with ST socket
- BACnet MS/TP, Modbus RTU communication
- Built-in status light
- Possible connection to a smoke detector, without additional power supply
- AC 230V power supply

UK24MOD



Description

- MP Gateway for Modbus RTU
- AC/DC 24V
- MP interface – Modbus RTU (RS-485)
- Connection of max. 8 actuators
- MP/MPL/MFT(2) incl. VAV and fire protection

MP-Bus and DDC-Controller

Actuators:

- All 24V motors with T-ST extension

BKN230-24-C-MP



Description

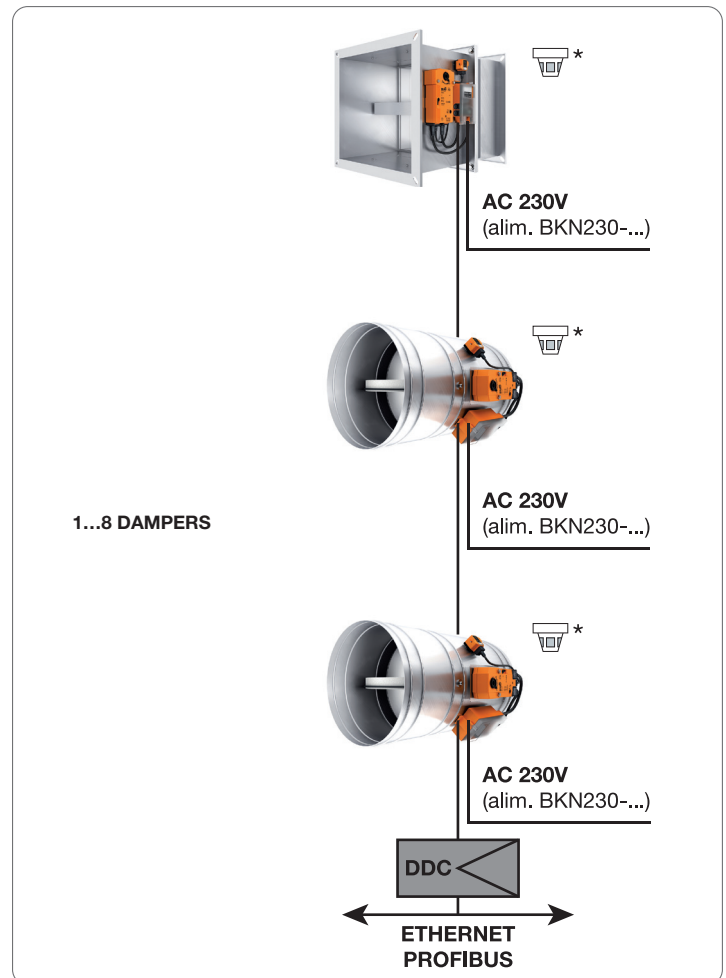
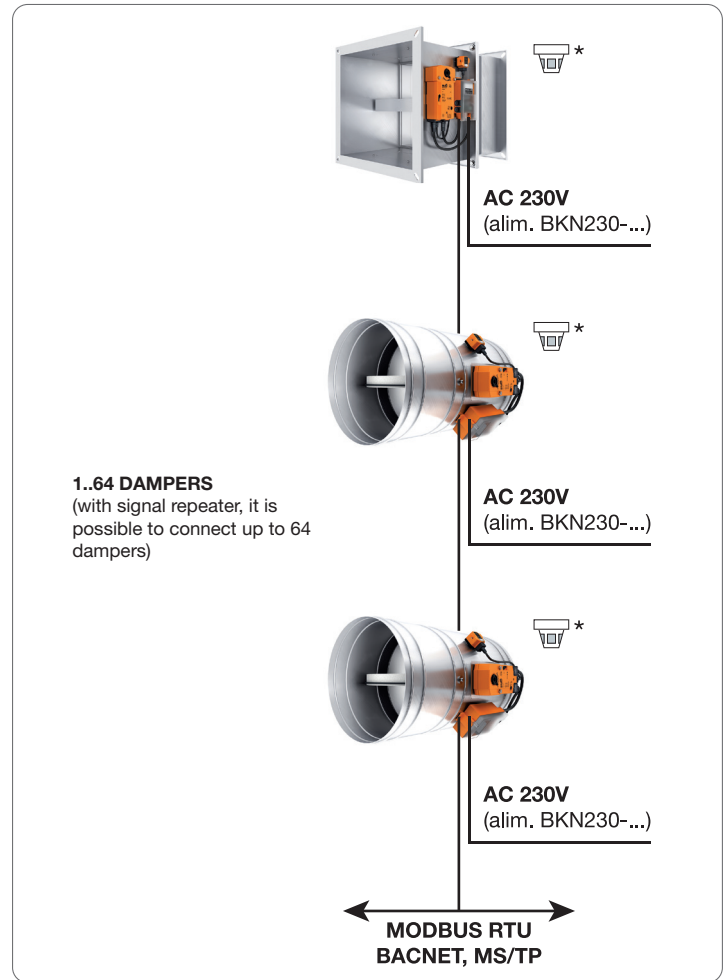
- Power supply and communication unit for actuators for 24 V fire damper with ST socket
- MP-Bus communication
- UK24MOD, UK24BAC and SBS control
- Built-in status light
- Possible connection to a smoke detector, without additional power supply
- AC 230V power supply

UK24BAC



Description

- MP Gateway for BACnet MS/TP
- AC/DC 24V
- MP interface – BACnet MS/TP (RS-485)
- Connection of max. 8 actuators
- MP/MPL/MFT(2) incl. VAV and fire protection



All prices are list prices for local market, for a quotation please contact us.

Price list - Fire damper systems

Cable / Socket for systems	€
T-ST	50

Power supply and communication systems	€
BKN 230-24	280
BKN 230-24 C - MP	400
BKN 230-24 MOD	400
BKN 230-24 LON	620

Monitoring and control system	€
BKS 24-1	530
24-9A BKS	710
UK 24 MOD	830
UK 24 BAC	940

Example:

Fire damper with 24V actuator and thermal fuse, take the list price for the motorised damper.
 We combine the power supply and communication unit **BKN230-24** and to do so, we need to use the **T-ST** cable.
T-ST + BKN 230-24 we will get: € 50.00 + € 280.00 = € 330.00 to be added to the price of the 24V motorised damper.

We will then combine the monitoring and control system **BKS 24-1** or **BKS24-9A**.

Combine the components according to the "MOD-LON" communication system.

Smoke control damper systems

All prices are list prices for local market, for a quotation please contact us.

Price list - Smoke control damper systems

Cable / Socket for systems	€
T-ST	50

Power supply and communication systems	€
BKNE 230-24	380

Monitoring and control system	€
BKSE 24-6 UP TO 6 DAMPERS	530
BSIA24-48 PULSE, 24-48 V, NORM. OPEN	710
BSIA24-48 R FAIL SAFE / CUT-OFF, NORM. CLOSED	830