

WKP-P-E-J / WKP-P-E-W



► **VDI 6022 HYGIENIC STANDARD**

Description

El 120 S multiple blade smoke control dampers according to UNI EN 1366-2 e UNI EN 1366-10 (tests for smoke control), UNI EN 13501-4 and UNI EN 12101-8 classification

Performance certificate no. 2434-CPR-0285

CE marking - VDI 6022 hygienic certificate

- Construction: Z275 galvanized steel frame with silicate fibre interposed, 30 mm flanges for ducting connection, counter blade movement, made of silicate fibre and fastened by bolts, intumescent gasket both on the blades and damper frame. Cold smoke sealing gasket
- Vertical installation
- Leakage class C of the frame according to EN 1751
- Max dimension 1200x800
- Frame depth 230 mm

Fitted with:

- with electric on-off actuators, dual microswitches, 24V and 230V power supply

• Installations in ducts and masonry walls (120 mm or 125 mm plasterboard) with fire resistance classes EI 120 or EI 90

WKP-P-E-J

E₆₀₀ 120 (v_{ed} i ↔ o) S 1000 C₃₀₀ AA single - (Duct)

WKP-P-E-W

EI 90 (v_{ew} i ↔ o) S 1500 C_{10 000} AA multi

EI 120 (v_{ew} i ↔ o) S 1000 C_{10 000} AA multi

WKP-P-E-J-K 24: with on-off actuator and 2 opening and closing micro limit switches, 24V power supply

WKP-P-E-J-K 230: with on-off actuator and 2 opening and closing limit switches, 230V power supply

WKP-P-E-W-K 24: with on-off actuator and 2 opening and closing micro limit switches, 24V power supply

WKP-P-E-W-K 230: with on-off actuator and 2 opening and closing micro limit switches, 230V power supply

Special execution

KL: left side flange

KR: right side flange

T: without flanges only for version (WKP-P-E-W), frame th. 125 mm

- Additional communication systems (see page 10)

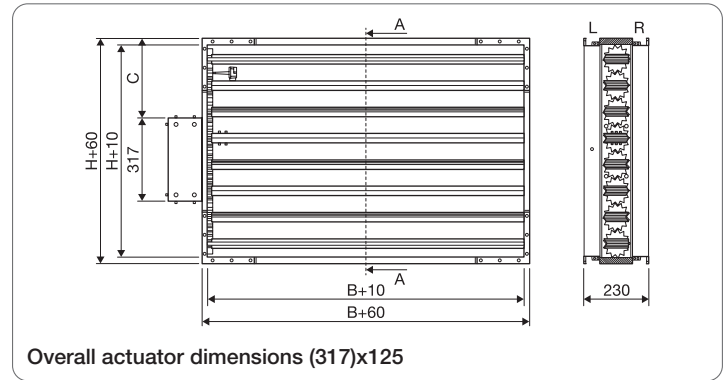
WKP-P-E-J Net area of air passage in m²

H/L	200	300	400	500	600	700	800	900	1000	1100	1200
200	0.03	0.04	0.05	0.07	0.08	0.09	0.10	0.12	0.13	0.14	0.16
300	0.04	0.06	0.08	0.10	0.12	0.14	0.16	0.18	0.20	0.31	0.23
400	0.05	0.08	0.10	0.13	0.16	0.18	0.21	0.23	0.26	0.29	0.31
500	0.07	0.10	0.13	0.16	0.20	0.23	0.26	0.29	0.33	0.36	0.39
600	0.08	0.12	0.16	0.20	0.23	0.27	0.31	0.35	0.39	0.43	0.47
700	0.09	0.14	0.18	0.23	0.27	0.32	0.36	0.41	0.46	0.50	0.55
800	0.10	0.16	0.21	0.26	0.31	0.36	0.42	0.47	0.52	0.57	0.62

WKP-P-E-W Net area of air passage in m²

H/L	200	300	400	500	600	700	800	900	1000	1100	1200
200	0.02	0.04	0.05	0.06	0.07	0.08	0.10	0.11	0.12	0.13	0.14
300	0.04	0.05	0.07	0.09	0.11	0.13	0.14	0.16	0.18	0.20	0.22
400	0.05	0.07	0.10	0.12	0.14	0.17	0.19	0.22	0.24	0.26	0.29
500	0.06	0.09	0.12	0.15	0.18	0.21	0.24	0.27	0.30	0.33	0.36
600	0.07	0.11	0.14	0.18	0.22	0.25	0.29	0.32	0.36	0.40	0.43
700	0.08	0.13	0.17	0.21	0.25	0.29	0.34	0.38	0.42	0.46	0.50
800	0.10	0.14	0.19	0.24	0.29	0.34	0.38	0.43	0.48	0.53	0.58

Dimensions



N	H	C
2	200	0
3	300	100
4	400	100
5	500	200
6	600	200
7	700	300
8	800	300

N: number of blades

H: damper height

WKP-P-E-J-K-24 price list

H/L	200	300	400	500	600	700	800	900	1000	1100	1200
200	693	715	737	759	782	806	828	850	872	895	917
300	726	752	777	802	827	854	879	905	930	955	980
400	753	782	815	843	871	901	929	957	985	1013	1041
500	785	816	852	883	914	946	977	1008	1152	1183	1214
600	816	851	889	923	957	992	1026	1172	1206	1240	1273
700	848	886	927	964	1000	1151	1188	1224	1260	1297	1333
800	880	920	965	1004	1043	1197	1236	1276	1315	1354	1393

WKP-P-E-J-K-230 price list

H/L	200	300	400	500	600	700	800	900	1000	1100	1200
200	754	776	798	821	843	867	889	912	934	956	978
300	787	813	838	864	889	916	941	966	991	1017	1042
400	815	844	877	905	933	962	990	1018	1046	1074	1102
500	846	878	914	944	975	1008	1039	1070	1457	1488	1519
600	878	912	951	985	1018	1054	1087	1477	1511	1545	1578
700	910	947	988	1025	1061	1456	1492	1529	1565	1602	1638
800	941	982	1026	1065	1105	1502	1541	1580	1620	1659	1698

WKP-P-E-W-K-24 price list

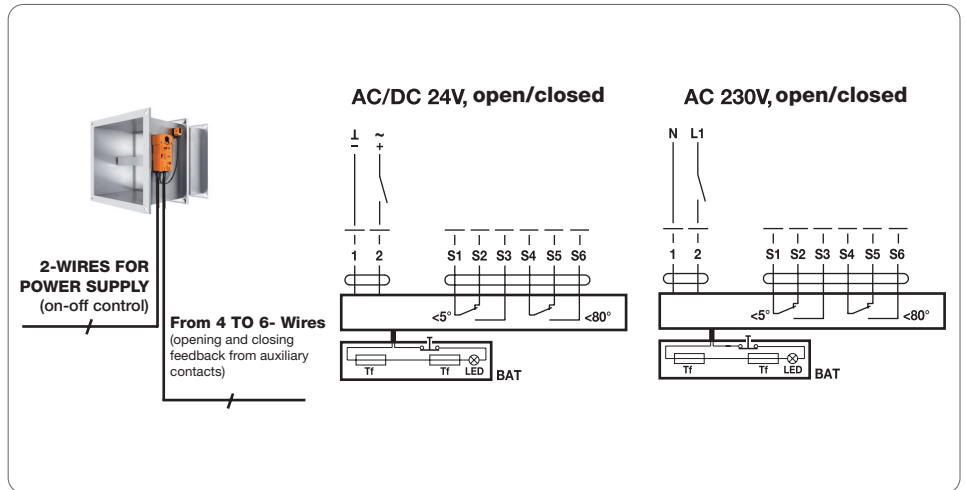
H/L	200	300	400	500	600	700	800	900	1000	1100	1200
200	693	716	738	761	783	808	830	853	875	898	921
300	727	753	779	805	830	858	884	909	935	961	987
400	755	784	818	847	876	906	935	964	992	1021	1050
500	787	819	856	888	920	953	985	1017	1162	1193	1225
600	819	854	894	929	964	1000	1035	1183	1218	1253	1288
700	851	890	933	970	1008	1161	1199	1237	1275	1312	1350
800	883	925	971	1012	1053	1208	1249	1290	1331	1372	1413

WKP-P-E-W-K-E230 price list

H/L	200	300	400	500	600	700	800	900	1000	1100	1200
200	755	777	800	822	845	869	892	914	937	960	982
300	788	815	840	866	892	919	945	971	997	1022	1048
400	816	846	879	908	937	967	996	1025	1054	1083	1111
500	848	881	917	949	981	1015	1046	1078	1466	1498	1530
600	880	916	956	990	1025	1062	1097	1488	1523	1558	1593
700	912	951	994	1032	1070	1466	1504	1542	1579	1617	1655
800	944	986	1032	1073	1114	1513	1554	1595	1636	1677	1718

Standard actuator

- BFL24-T
- BFN24-T
- BF24-T
- BFL230-T
- BFN230-T
- BF230-T

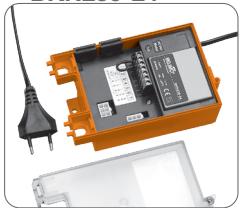


Control and warning

Actuators:

- All 24V actuators with T-ST extension
- BFL24-T-ST
- BFN24-T-ST
- BF24-T-ST

BKN230-24



Description

- Power supply and communication unit for actuators for 24V fire damper with ST socket
- Built-in status light
- Possible connection to a smoke detector, without additional power supply
- AC 230V power supply

BKS24-1B



Description

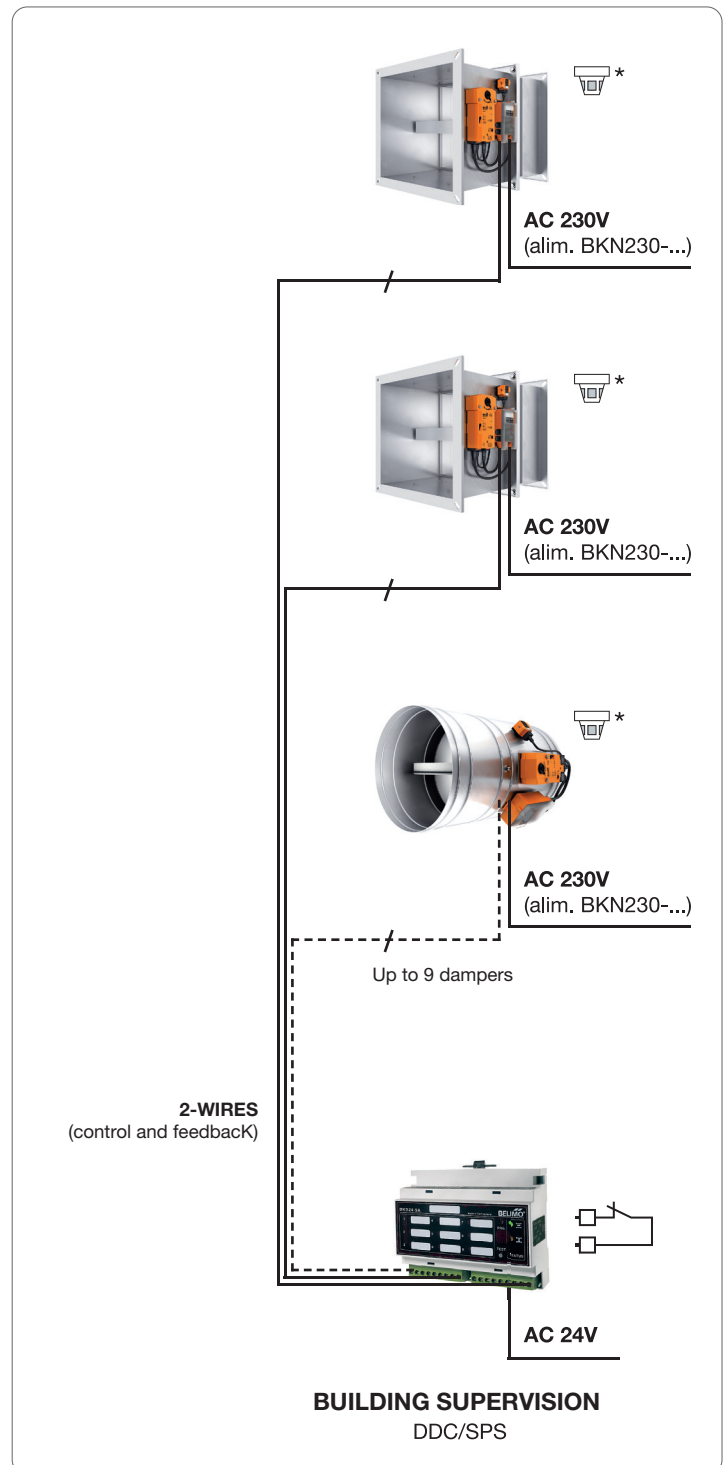
- Communication and control unit for fire damper
- Control and monitoring of 1 damper
- Built-in status light
- ZSO-11 connection base required
- AC 24V power supply

BKS24-9A



Description

- Communication and control unit for fire damper
- Control and monitoring of 9 dampers
- Built-in status light
- Connection plug terminals
- AC 24V power supply



Modbus RTU and BACnet MS/TP

Actuators:

- All 24V motors with T-ST extension

BKN230-24-MOD



Description

- Power supply and communication unit for actuators for 24 V fire damper with ST socket
- BACnet MS/TP, Modbus RTU communication
- Built-in status light
- Possible connection to a smoke detector, without additional power supply
- AC 230V power supply

UK24MOD



Description

- MP Gateway for Modbus RTU
- AC/DC 24V
- MP interface – Modbus RTU (RS-485)
- Connection of max. 8 actuators
- MP/MPL/MFT(2) incl. VAV and fire protection

MP-Bus and DDC-Controller

Actuators:

- All 24V motors with T-ST extension

BKN230-24-C-MP



Description

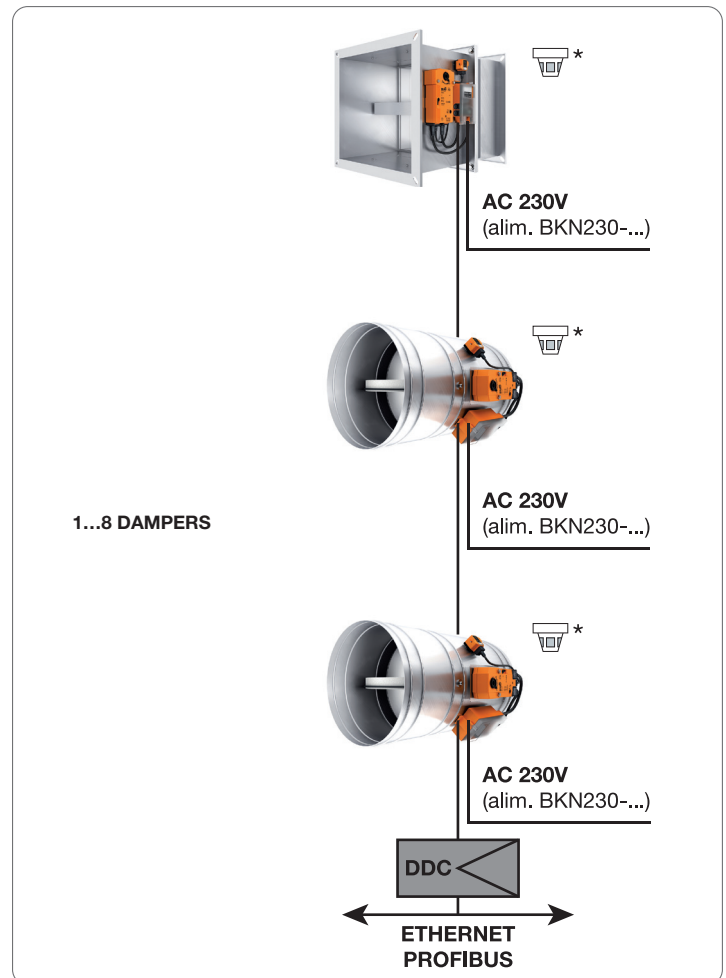
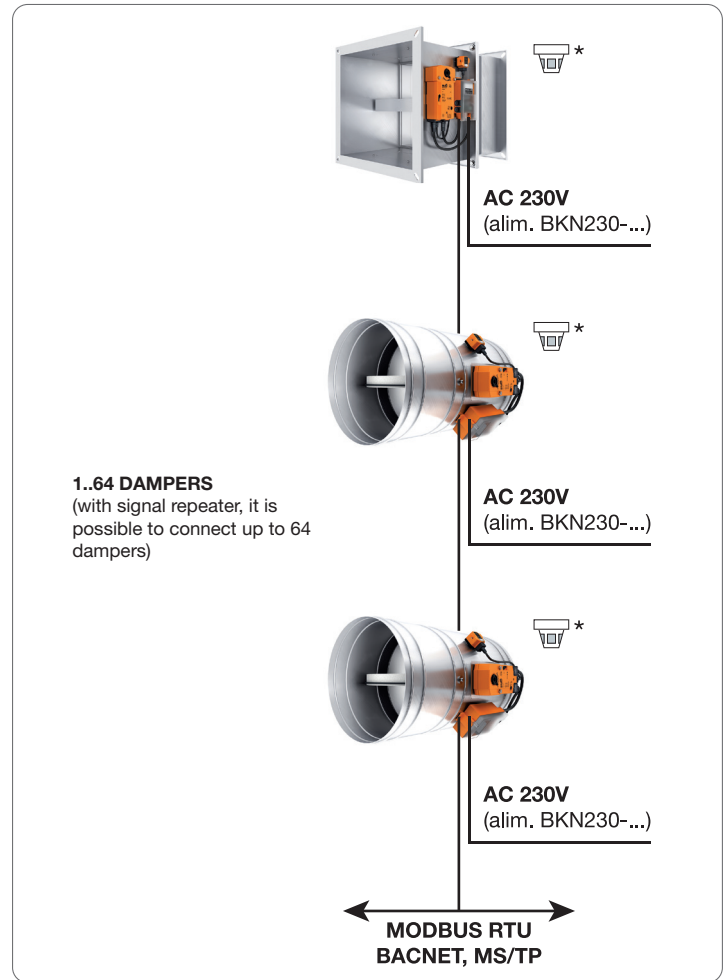
- Power supply and communication unit for actuators for 24 V fire damper with ST socket
- MP-Bus communication
- UK24MOD, UK24BAC and SBS control
- Built-in status light
- Possible connection to a smoke detector, without additional power supply
- AC 230V power supply

UK24BAC



Description

- MP Gateway for BACnet MS/TP
- AC/DC 24V
- MP interface – BACnet MS/TP (RS-485)
- Connection of max. 8 actuators
- MP/MPL/MFT(2) incl. VAV and fire protection



All prices are list prices for local market, for a quotation please contact us.

Price list - Fire damper systems

Cable / Socket for systems	€
T-ST	50

Power supply and communication systems	€
BKN 230-24	280
BKN 230-24 C - MP	400
BKN 230-24 MOD	400
BKN 230-24 LON	620

Monitoring and control system	€
BKS 24-1	530
24-9A BKS	710
UK 24 MOD	830
UK 24 BAC	940

Example:

Fire damper with 24V actuator and thermal fuse, take the list price for the motorised damper.

We combine the power supply and communication unit **BKN230-24** and to do so, we need to use the **T-ST** cable.

T-ST + BKN 230-24 we will get: € 50.00 + € 280.00 = € 330.00 to be added to the price of the 24V motorised damper.

We will then combine the monitoring and control system **BKS 24-1** or **BKS24-9A**.

Combine the components according to the "MOD-LON" communication system.

Smoke control damper systems

All prices are list prices for local market, for a quotation please contact us.

Price list - Smoke control damper systems

Cable / Socket for systems	€
T-ST	50

Power supply and communication systems	€
BKNE 230-24	380

Monitoring and control system	€
BKSE 24-6 UP TO 6 DAMPERS	530
BSIA24-48 PULSE, 24-48 V, NORM. OPEN	710
BSIA24-48 R FAIL SAFE / CUT-OFF, NORM. CLOSED	830