

## WING II



### Description

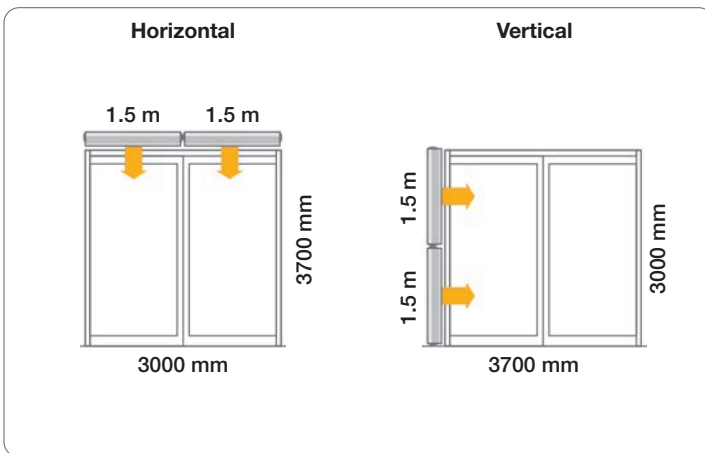
**WING II:** wing air curtain with a new generation design that recalls the lightness and harmony of the shapes; ideal installation in compact spaces

- energy saving EC fans
- large intake air surface with cover for easy cleaning and no disassembly required
- water and electric coils or neutral version without coil
- made of power-coated galvanised steel
- vertical or horizontal installation
- also available in version with AC motors

### Programmable control panel:

- 3-speed fan
- electric coils 2 levels
- room thermostat
- weekly programme
- BMS systems
- can operate up to 8 blades
- door contact

### Installation



All prices are list prices for local market, for a quotation please contact us.

### WING II price list

Water-heated curtains	€	Electric air curtains	€	Neutral air curtains	€
WING W100 (EC)	1502	WING E100 (EC)	1502	WING C100 (EC)	1267
WING W150 (EC)	1807	WING E150 (EC)	1807	WING C150 (EC)	1577
WING W200 (EC)	2187	WING E200 (EC)	2187	WING C200 (EC)	1882

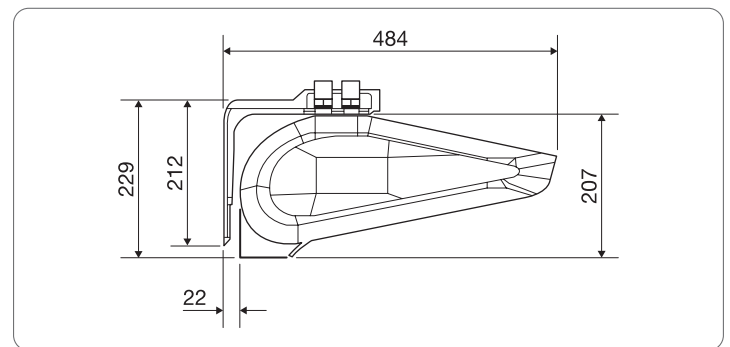
Material with prices in bold in stock

### Accessories price list

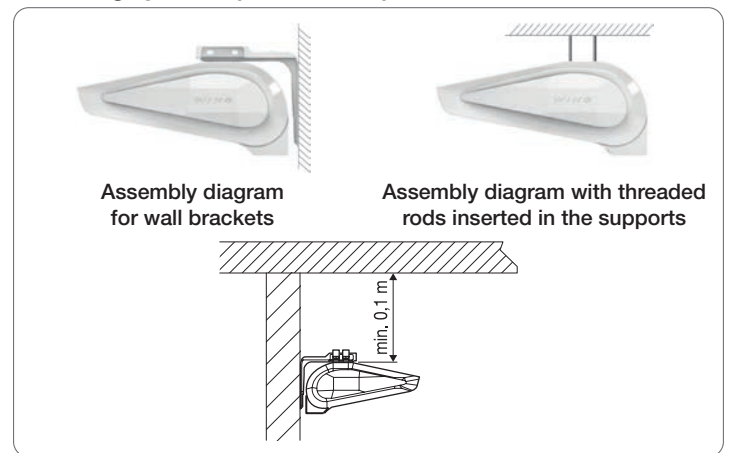
Wall mounting brackets	€	Accessories	€
Brackets x L= 1000	44	Motorised valve for water coil	141
Brackets x L= 1500 - 2000	67	Timer	42
Door contact	25	Thermostat	28
Ceiling fastening set	12		

Material with prices in bold in stock

### Dimensions



### Fastening systems (not included)



### Selection table

	Water-heated curtains								
	W 100			W 150			W 200		
Air flow rate m <sup>3</sup> /h	880	1350	1850	1420	2050	3100	2050	3150	4400
Water-heated coil kW output	2.8	3.2	3.5	4.8	7.7	9.5	11.3	13.7	15.4
Air output temperature	28	27	26	28	30	29	32	31	30
Water flow rate (m <sup>3</sup> /h / Dp Kpa)	0.12/0.02	0.14/0.03	0.15/0.03	0.21/0.1	0.34/0.2	0.41/0.3	0.49/0.5	0.60/0.7	0.67/0.9
Rows of coils	2								
Power supply voltage	230/1/50 Hz								
EC motor power in kW	0.15			0.18			0.26		
EC motor rated current in A	1.1			1.3			1.9		
Weight (without water) in Kg	21.5			29			37.5		
Noise level in dB(A)	56	59	61	57	62	63	60	65	66
IP protection rating	20								

Water coil yield: inlet air temperature 20°C / water temperature 60/40°C

Air output temperature with input air at 20°C

Noise level measured in semi-open space at a distance of 3 metres

Maximum door height: 3.7 m

## Selection table

	Electric air curtains								
	E 100			E 150			E 200		
Air flow rate m <sup>3</sup> /h	920	1400	1850	1450	2050	3150	2150	3200	4500
Electric coil power in kW	2/4 - 4/6	2/4 - 4/6	2/4 - 4/6	4/12 - 8/12	4/12 - 8/12	4/12 - 8/12	5/15 - 10/15	5/15 - 10/15	5/15 - 10/15
Air output temperature	26/31 - 31/36	24/27 - 27/31	23/26 - 26/30	28/41 - 34/41	25/34 - 29/34	24/30 - 27/30	27/36 - 30/36	25/31 - 27/31	24/29 - 25/29
Power supply voltage	400/3/50 Hz								
EC motor power in kW	0.15			0.18			0.26		
EC motor rated current in A	1.1			1.3			1.9		
Weight in Kg	22			30.5			39		
Noise level in dB(A)	53	55	62	55	60	62	59	63	64
IP protection rating	20								

Air output temperature with input air at 20°C

Noise level measured in semi-open space at a distance of 3 metres

Electric coils configurable as power directly from the control

Maximum door height: 3.7 m

	Neutral air curtains								
	C 100			C 150			C 200		
Air flow rate m <sup>3</sup> /h	1050	1500	1950	1500	2250	3200	2340	3400	4600
Power supply voltage	230/1/50 Hz								
EC motor power in kW	0.15			0.18			0.26		
EC motor rated current in A	1.1			1.3			1.9		
Weight in Kg	19			25.5			32.5		
Noise level in dB(A)	57	63	66	58	66	67	61	65	67
IP protection rating	20								

Noise level measured in semi-open space at a distance of 3 metres

Maximum door height: 4 m

## Dimensions

