

GRFPFX



Description

GRFPFX: return grilles in perforate metal sheet suitable for installation in hospital environments in controlled contamination rooms

- made of coated AISI 304 stainless steel with rounded corners and push-pull opening system
- filter holder frame with filter fastening device
- perfect surface uniformity for easy maintenance and cleaning
- possibility of inserting G2 G4 M5 M6 F9 filters

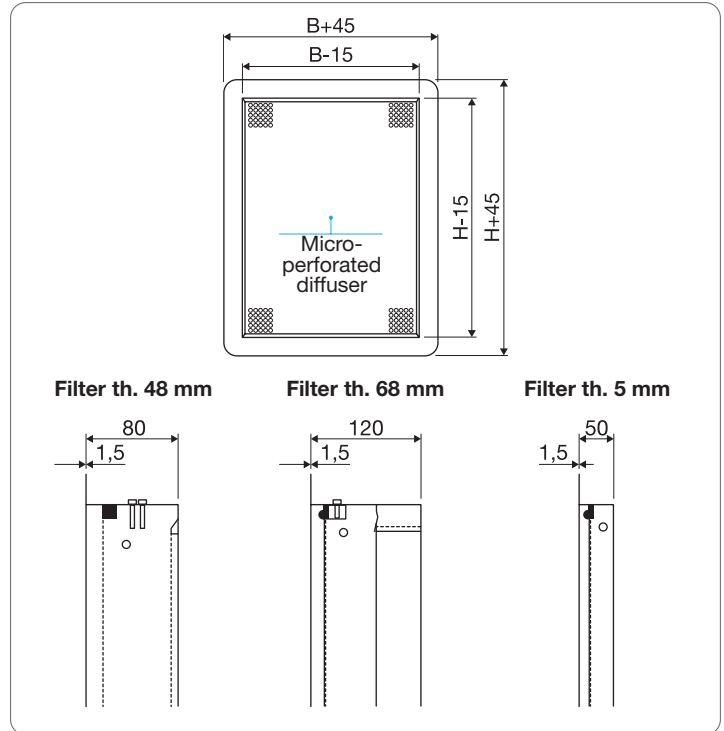
Accessories

- volume control damper

Special executions

- made of AISI 316 stainless steel (304 list price +15%)
- opening system with magnet fastening

Dimensions



Dimensions

Dimensions filter	Velocity (m/s)	Filter flow rate (m³/h)	Δp G2 filter (Pa) Th. 5 mm	Δp G4 filter (Pa) Th. 48 mm	Δp M5 filter (Pa) Th. 68 mm	Δp F9 filter (Pa) Th. 68 mm	Perforated sheet metal velocity (m/s)	Δp Perforated sheet metal (Pa)
300x300	0.50	162	10	10	20	40	1.25	10
	1.00	324	35	15	20	50	2.50	15
	1.50	486	75	20	30	50	3.75	20
600x300	0.50	324	10	10	20	40	1.25	10
	1.00	648	35	15	20	50	2.50	15
	1.50	972	75	20	30	50	3.75	20
900x300	0.50	486	10	10	20	40	1.25	10
	1.00	972	35	15	20	50	2.50	15
	1.50	1458	75	20	30	50	3.75	20

All prices are list prices for local market, for a quotation please contact us.

Grille price list

Filter dimensions	for filter th. 5 mm		for filter th. 48 mm		for filter th. 68 mm	
	White-coated sheet metal	304 STAINLESS steel	White-coated sheet metal	304 STAINLESS steel	White-coated sheet metal	304 STAINLESS steel
300x300	290	361	322	400	412	482
600x300	412	514	451	565	577	679
900x300	545	682	604	753	765	902

Filter price list

Filter dimensions	Filter th. 5 mm G2	Filter th. 48 mm G4	Filter th. 68 mm M5	Filter th. 68 mm F9
300	13	13	76	86
600	18	19	94	110
900	23	23	102	118